

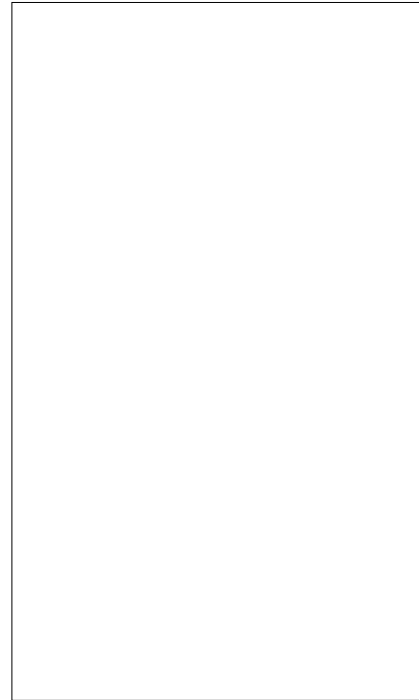


JIEJIE MICROELECTRONICS CO., LTD.

JCT1612K 12A SCR

Rev.A.1.1

DESCRIPTION: er8(\$ E 0 Tw40 675 ()J 022P < 10D3 > EC /M 1 T 0010 7228 5



2CT161212121

ORDERING INFORMATION

J T 6 8

JCT1612K

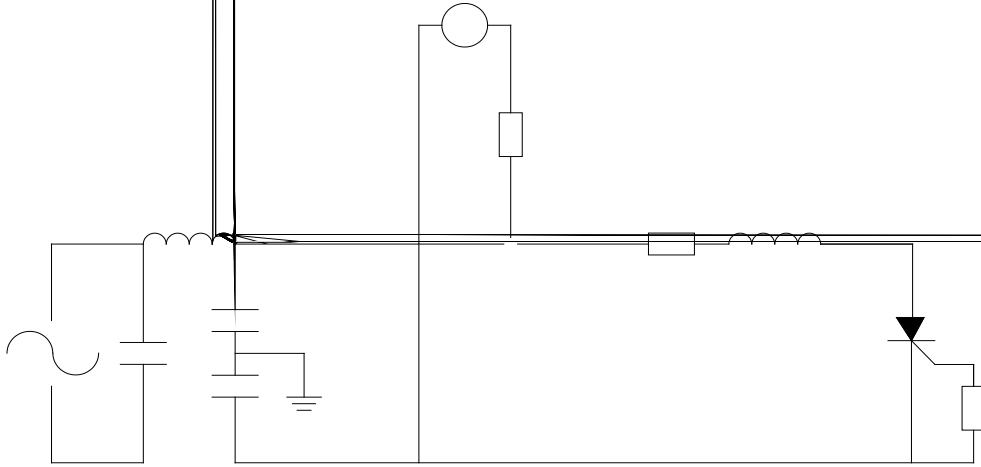
JCT1612K

 JieJie Microelectronics Co., Ltd.

6 : ~~6111E~~

-0

51



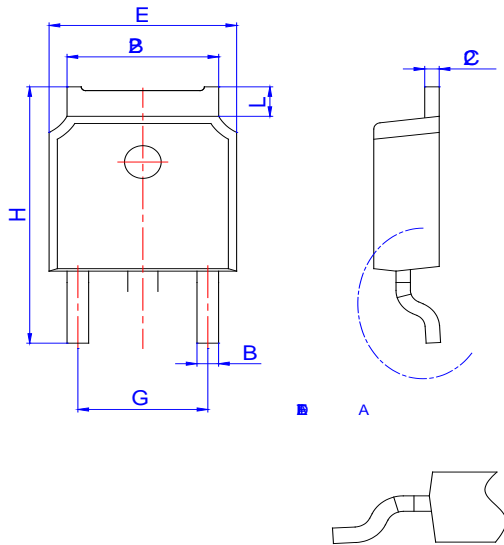
ORDERING INFORMATION

Order code	Voltage V_{DRM}/V_{RRM} (V)	IGT(mA)	Package	Base qty. (pcs)	Delivery mode
JCT1612K	1600	15	TO-252	80	Tube
JCT1612K-TR				2,500	Tape & Reel

Document Revision History

Rev	Description	Author
A 0.0		
A 1.0		
A 1.1		

PACKAGE MECHANICAL DATA



R	D					
	M			b		
	M	\bar{p}	M	M	\bar{p}	M
A	0		0	0		0
2	0		0	0		0
B	0		0	0		0
B	0		0	0		0
C	0		0	0		0
D	0		0	0		0
D						
E	0		0	0		0
E	0			0		
G	4		0	0		0
G	2		2	0		0
L	0		2	0		0
D	5		6	0		0



DEY0004 (MOs 22.07 q /GSO gs n q /GSO gs 26.829 ()13.7 (6 Tm 97 /In

