

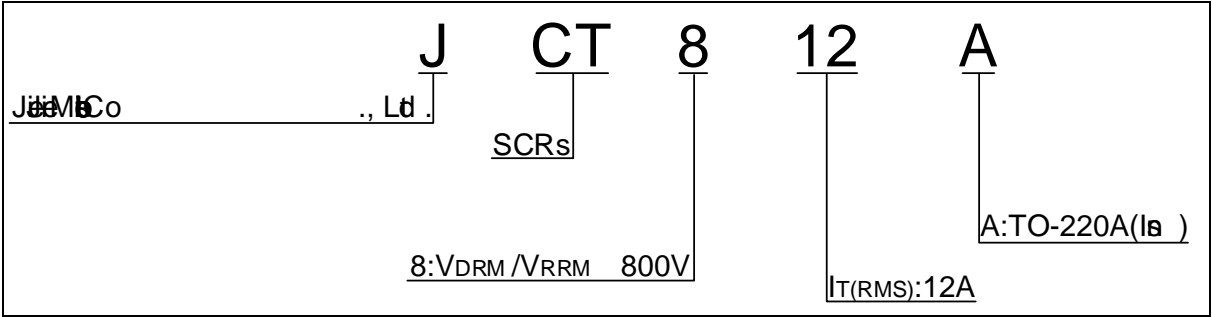
JIEJIE MICROELECTRONICS CO., LTD.

| | | | |
|---|-------------|-----|---|
| P_{GM} ($t_p=20\mu s$ $T_j=125$) | I_{GM} | 4 | A |
| A_{GM} ($T_j=125$) | $P_{G(AV)}$ | 1 | W |
| P_{GM} | P_{GM} | 10 | W |
| P_{GM} ($T_j=25$; ρ - ρ - FIG.7) | V_p | 0.5 | V |

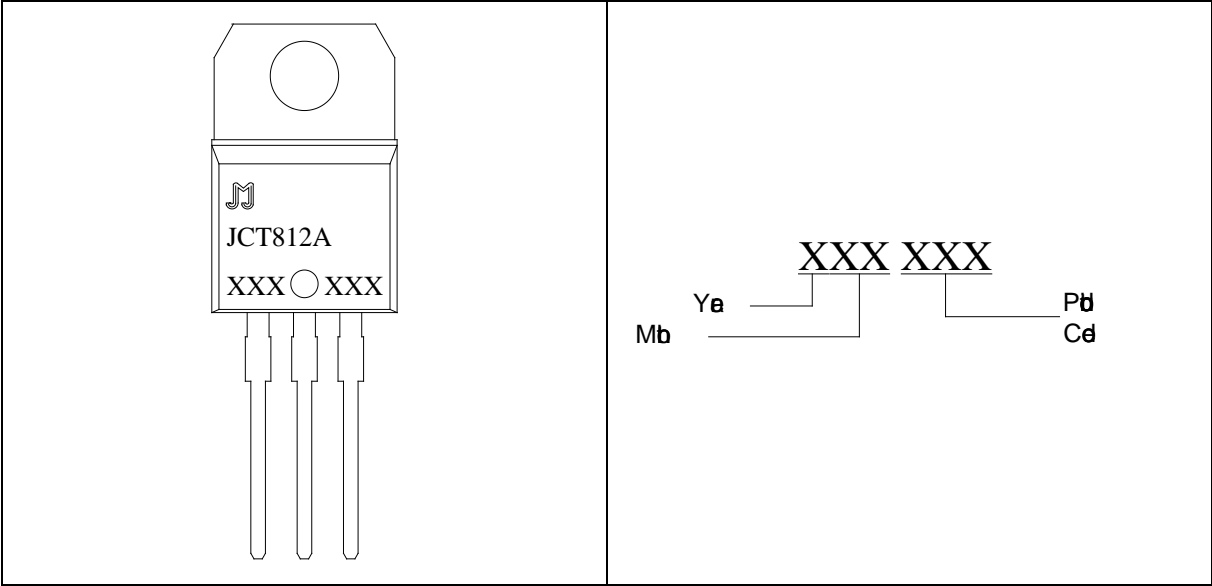
ELECTRICAL CHARACTERISTICS (T_j=25 °C)

| Symbol | Test Condition | Value | | | Unit |
|----------|--------------------|-------|------|------|------|
| | | MIN. | TYP. | MAX. | |
| I_{GT} | $V_D=12V$ $R_L=33$ | | | | |

ORDERING INFORMATION



MARKING



ORDERING INFORMATION

| Order code | Voltage V_{DRM}/V_{RRM} (V) | IGT(mA) | Package | Base qty. (pcs) | Delivery mode |
|------------|----------------------------------|---------|--------------|--------------------|------------------|
| JCT812A | 800 | 15 | TO-220A(Ins) | 50 | Tube |

Document Revision History

| Da | Ra | Ca |
|--------------|-------|----|
| Ap .13, 2023 | A.1.0 | L# |
| Ot .10, 2025 | A.1 | |

PACKAGE MECHANICAL DATA

