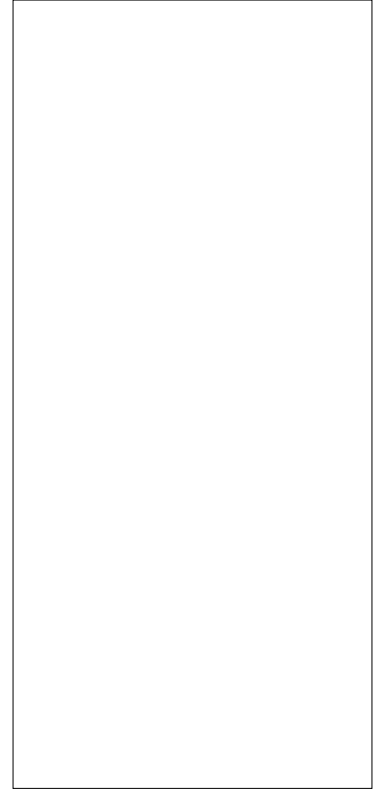




JCT820A

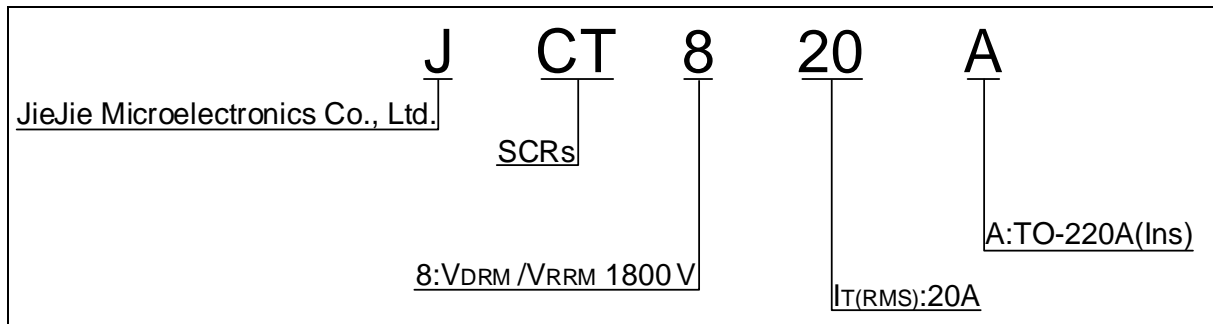


Peak gate current ( $t_p=20 \text{ s}$ , $T_j=125 \text{ }^\circ\text{C}$ )	$I_{GM}$	5	A
Average gate power dissipation ( $T_j=125 \text{ }^\circ\text{C}$ )	$P_{G(AV)}$	1	W
Peak gate power	$P_{GM}$	20	W
Peak pulse voltage ( $T_j=25 \text{ }^\circ\text{C}$ ; non-repetitive,off-state;FIG.7)	$V_{pp}$	0.5	kV

**ELECTRICAL CHARACTERISTICS** (unless otherwise specified)

Symbol	Test Condition	Value			Unit
		MIN.	TYP.	MAX.	
$I_{GT}$	$V_D=12V$ $R_D=33\Omega$	-	-	15	mA
$V_{GT}$		-	-	1	V

ORDERING INFORMATION



MARKING

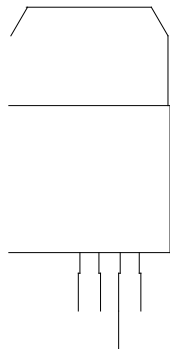


FIG.1: Maximum power dissipation versus RMS on-state current

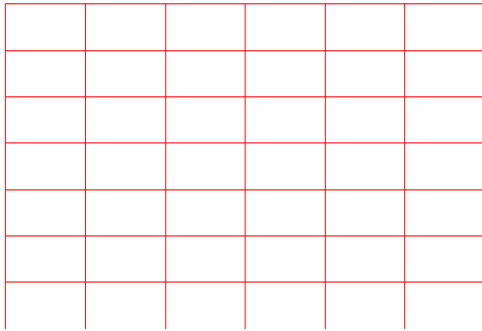


FIG.2: RMS on-state current versus case temperature





PACKAGE MECHANICAL DATA

