

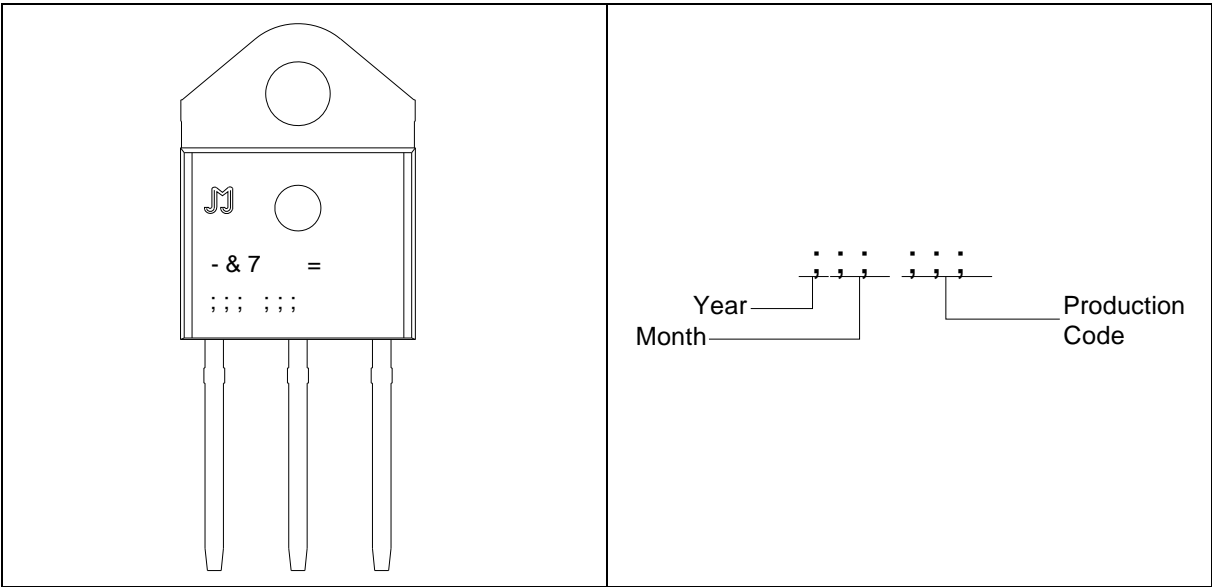
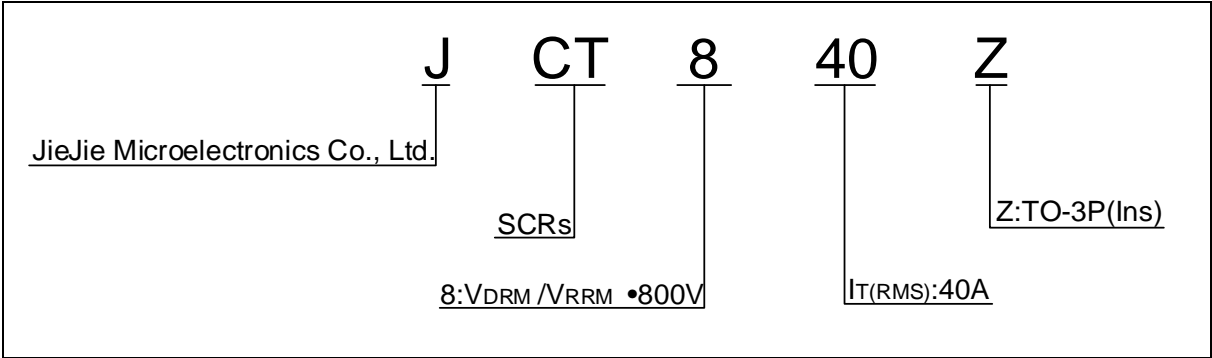


# JCT840Z

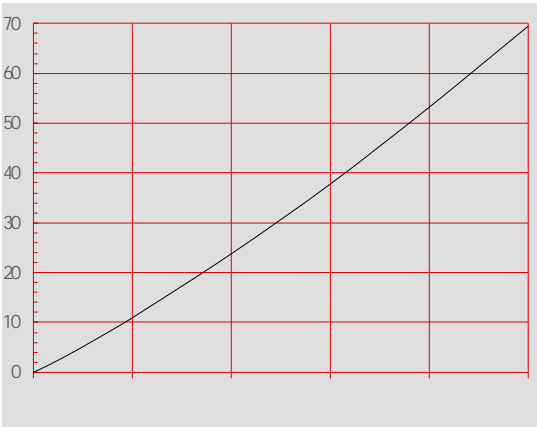


JieJie Microelectronics Co., Ltd.

Peak gate current ( $t_p=20\mu s$ , $T_j=125$ )	$I_{GM}$	10	A
Average gate power dissipation ( $T_j=125$ )	$P_{G(AV)}$	1	W
Peak gate power	$P_{GM}$	20	W
Peak pulse voltage ( $T_j$ )			

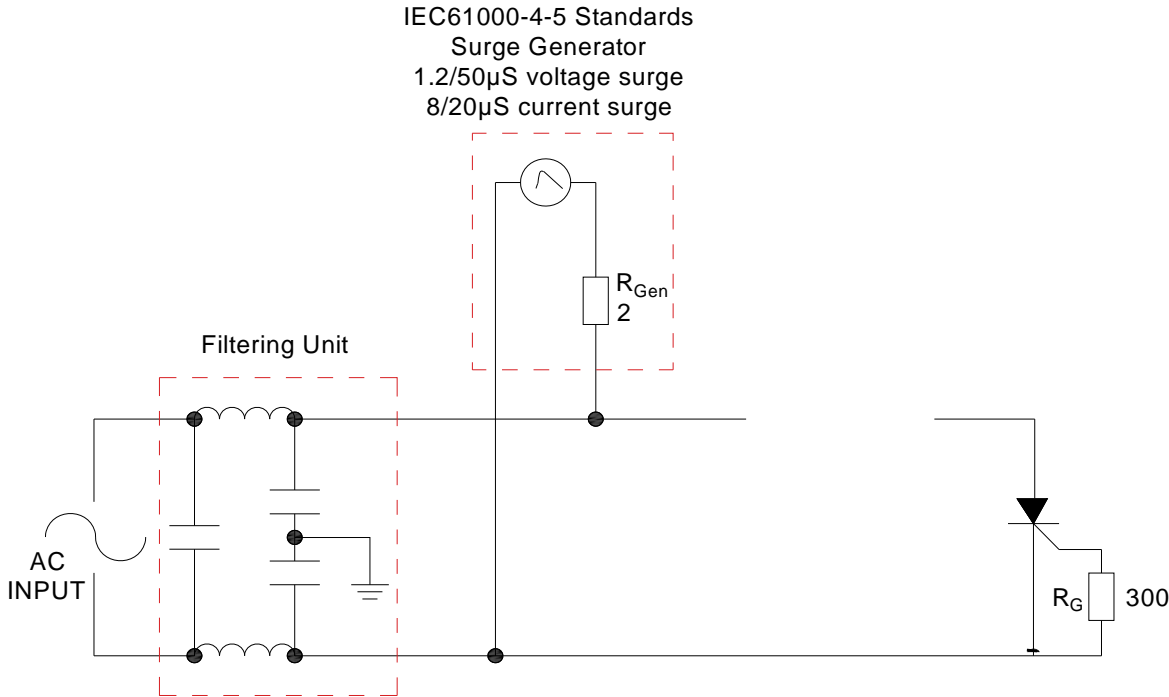


**FIG.1:** Maximum power dissipation versus RMS on-state current



**FIG.2:** RMS on-state current versus case temperature

FIG.7 Test circuit for inductive and resistive loads to IEC-61000-4-5 standards.



Order code	Voltage $V_{DRM}/V_{RRM}$ (V)	IGT(mA)	Package	Base qty. (pcs)	Delivery mode
JCT840Z	800	35	TO-3P(Ins)	30	Tube

**Document Revision History**

Date	Revision	Changes
Apr.13, 2023	A.1.0	Last update
Oct.16, 2025	A.1.1	Revise PACKAGE MECHANICAL DATA





Information furnished in this document is believed to be accurate and reliable.  
However, Jiangsu JieJie Microelectronics Co., Ltd. assumes no responsibility for the  
consequences of use without consideration for such information nor use beyond it.

Information mentioned in this document is subject to change without notice, apart

mentioned from that when an agreement is sig

//=

M

he um

a

Â