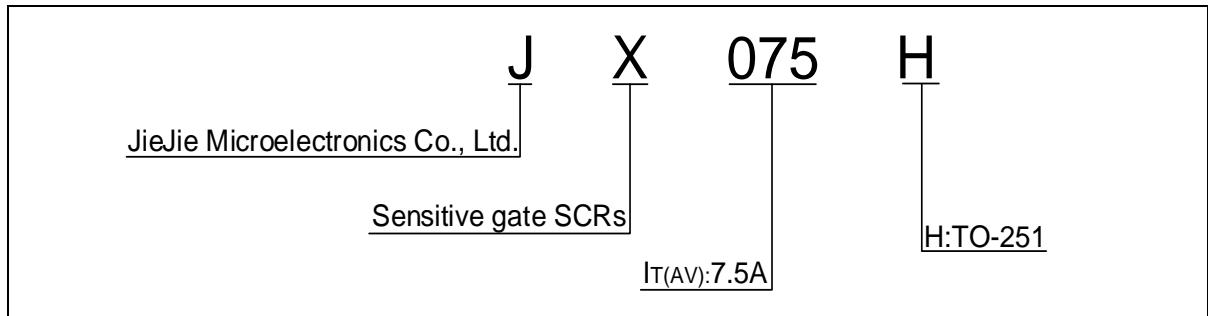


Peak gate power	P_{GM}	10	W
Peak pulse voltage ($T_j=25$; non-repetitive,off-state;FIG.7)	V_{pp}	0.5	kV

ELECTRICAL CHARACTERISTICS (Unless otherwise specified)

Symbol	Test Condition	Value			Unit
		MIN.	TYP.	MAX.	
I_{GT}	$V_D=12V R_L=33$	-	60	200	A
V_{GT}		-	-	0.8	V
V_{GD}	$V_D=V_{DRM} T_j=110$	0.2	-	-	V
I_L	$I_G=1.2 I_{GT}$	-	-	6	mA
I_H	$I_T=0.05A$	-	-	5	mA
dV/dt	$V_D=540V T_j=25 R_{GK}=1k$	50	-	-	V/s
	$V_D=540V T_j=25 R_{GK}=$	200	-	-	
t_{on}	$I_G=10mA I_A=20mA I_R=2mA$ $T_j=25$	-	2	-	μs

ORDERING INFORMATION



MARKING

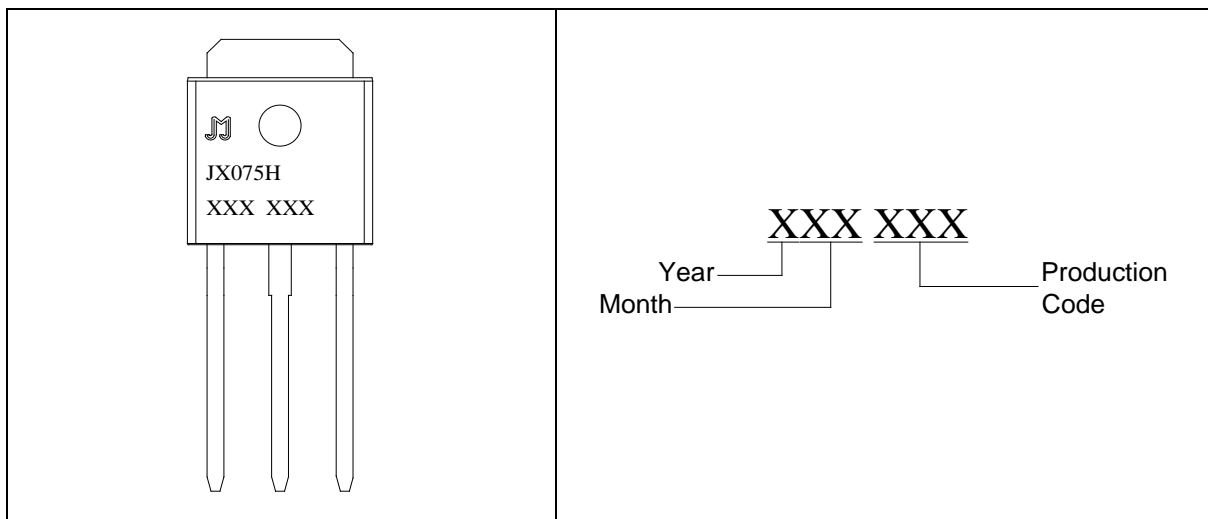


FIG.1: Maximum power dissipation versus
RMS on-state current

FIG.2: RMS on-state current versus case
temperature

JX075H



PACKAGE MECHANICAL DATA

