



T0410H-8H 4A TRIAC

Rev.A.1.1

DESCRIPTION:

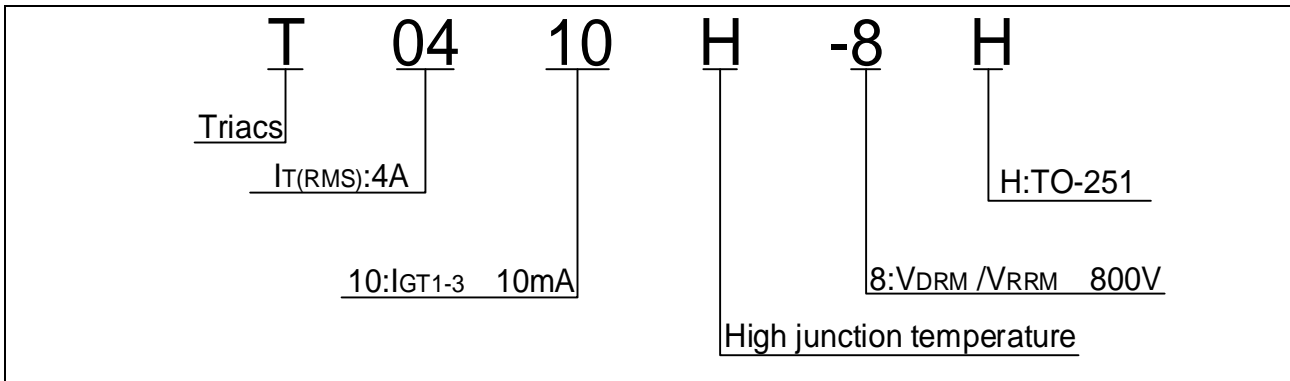
The T0410H-8H triac is suitable for general purpose AC switching. It can be used as an ON/OFF function in applications such as heating regulation, induction



| | | | |
|--|----------|----|----|
| Peak gate power | P_{GM} | 10 | W |
| Peak pulse voltage ($T_j=25$; non-repetitive, off-state; FIG.7) | V_{pp} | 3 | kV |

ELECTRICAL CHARACTERISTICS ($T_j=25$)

ORDERING INFORMATION



MARKING

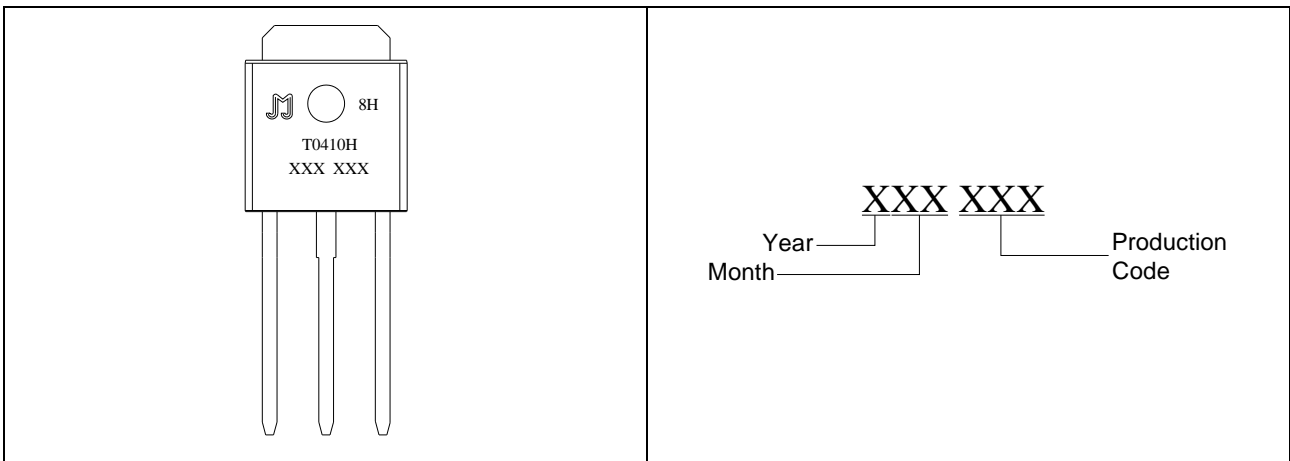


FIG.1: Maximum power dissipation versus RMS on-state current

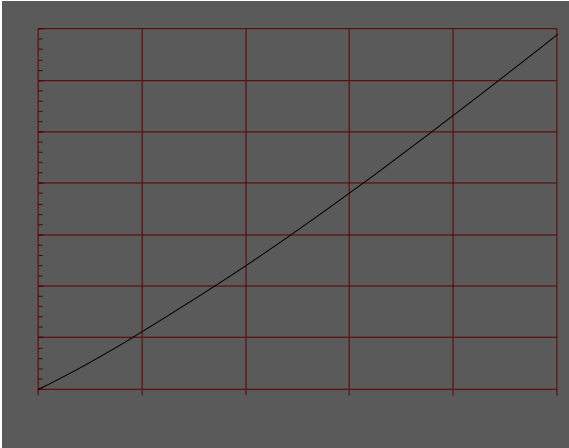
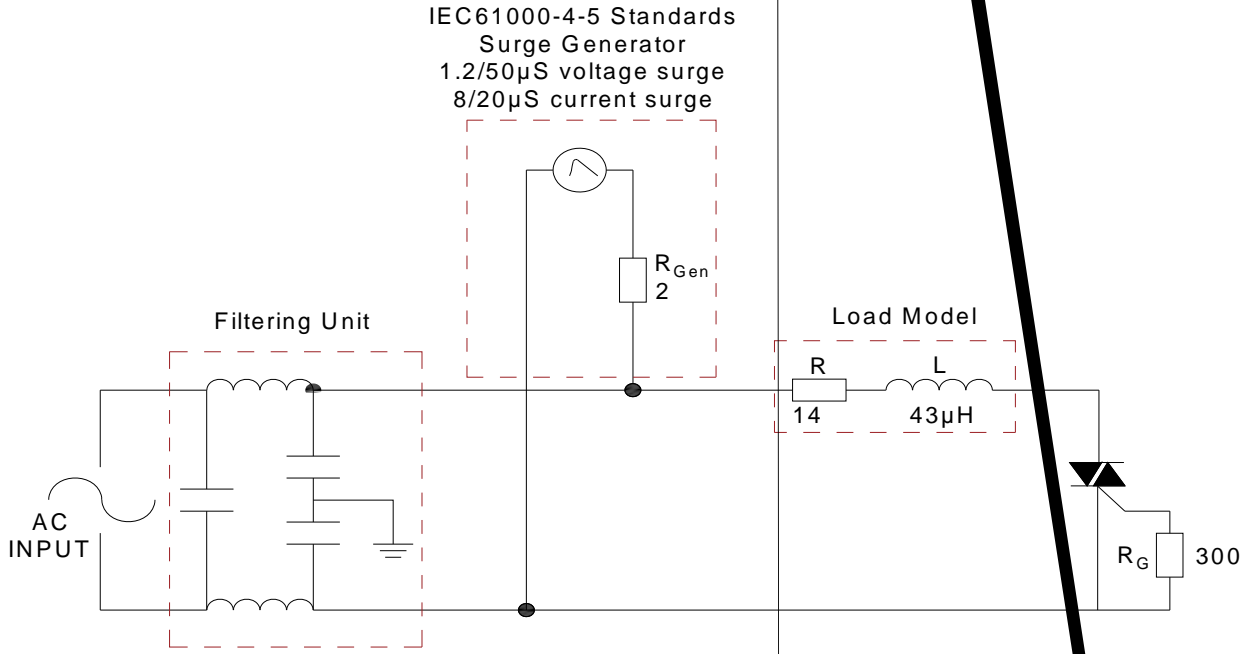


FIG.2: RMS on-state current versus case temperature



FIG.7 Test circuit for inductive and resistive loads to IEC-61000-4-5 standards



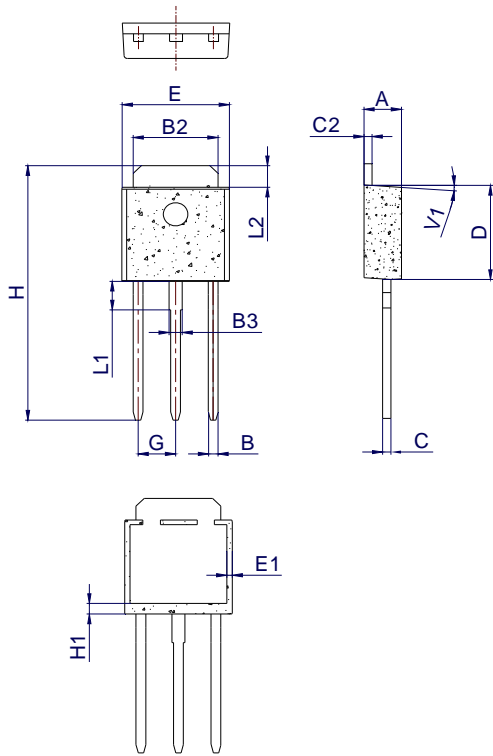
**ORDERING INFORMATION**

| Order code | Voltage V_{DRM}/V_{RRM} (V) | IGT(mA) | Package | Base qty. (pcs) | Delivery mode |
|------------------|----------------------------------|-----------|---------------|--------------------|------------------|
| | | - - | | | |
| T0410H-8H | 800 | 10 | TO-251 | 80 | Tube |

Document Revision History

| Date | Revision | Changes |
|--------------|----------|--------------------------------|
| Apr.10, 2023 | A.1.0 | Last updated |
| Oct.17, 2025 | A.1.1 | Revise PACKAGE MECHANICAL DATA |

PACKAGE MECHANICAL DATA



| Ref. | Dimensions | | | | | |
|------|-------------|------|-------|--------|------|-------|
| | Millimeters | | | Inches | | |
| | Min. | Typ. | Max. | Min. | Typ. | Max. |
| A | 2.20 | | 2.40 | 0.086 | | 0.095 |
| A2 | 1.00 | | 1.30 | 0.039 | | 0.051 |
| B | 0.50 | | 0.70 | 0.020 | | 0.028 |
| B2 | 5.10 | | 5.40 | 0.200 | | 0.213 |
| B3 | | | | | | |
| C | | | | | | |
| C2 | | | | | | |
| D | | | | | | |
| E | | | | | | |
| E1 | 0.60 | | 1.00 | 0.024 | | 0.039 |
| G | | | | | | |
| H | 16.00 | | 17.00 | 0.630 | | 0.669 |
| H1 | 1.45 | | 1.85 | 0.057 | | 0.073 |
| L1 | | | | | | |



Information furnished in this document is believed to be accurate and reliable. However, Jiangsu JieJie Microelectronics Co., Ltd. assumes no responsibility for the consequences of use without consideration for such information nor use beyond it. Information mentioned in this document is subject to change without notice, apart from that when an agreement is signed, Jiangsu JieJie complies with the agreement.

Products and information provided in this document have no infringement of patents.
h á