

- , ( - , ( 0 , & 5 2 ( / ( & 7 5 2 1 , & 6 & 2 / 7

7 + + \$ 7 5 , \$ &

5HY \$

^ Z / W d / K E W

7KH 7 + + WULDF LV VXLWDEOH IRU JHQHUDO SXUSRVH \$  
VZLWFKLQJ , W F D Q E H X ) \ H Q F W L R Q L Q  
DSSOLFDWLRQV V H F K O D W K R Q W L Q G X F W L R Q P R W R U  
VWDUWLQJ FLUFXLWV IRU SKDVH FRQWURO RSHUDWLRQ LG  
PRWRU VSHHG FRQWUROOHUV & RPSDUHG WR WUDGLWLRQD  
7 + + SURYLGHV K D V Z H W F K L Q J F D S D E L O L W \ X S W R  
M X Q F W L R Q W H P S H U D W X U H V R I f & ) U R P 7 W H U P L Q D O V W  
H [ W H U Q D O K H D W 7 2 L Q N L 3 D 5 F R H 6 J F R P S O L D Q W

D / E & d h Z ^

^ K > h d D y / D h D Z d / E ' ^

3DUDPHWHU	6\PERO	9DOXH	
6WRUDJH MXS F W L R Q U W H P D Q J H v w j		7	
2SHUDWLQJ W H F K O D W K R Q W L Q G X U H	U D Q J H	7	F € V @ U

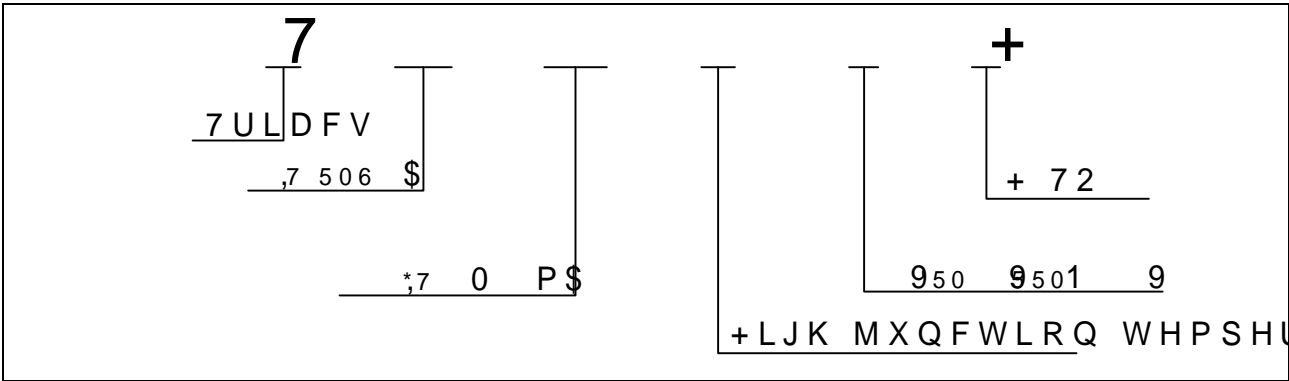
8QL



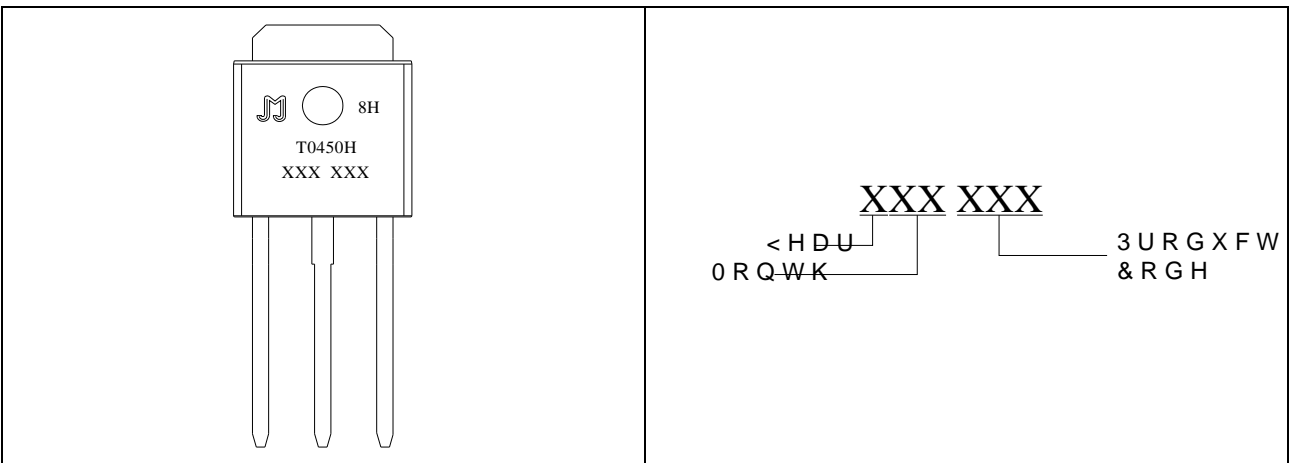
7 + +

-LH-LH 0LFURHOHFWURQL

KZ Z/E' /E&KZD d/KE

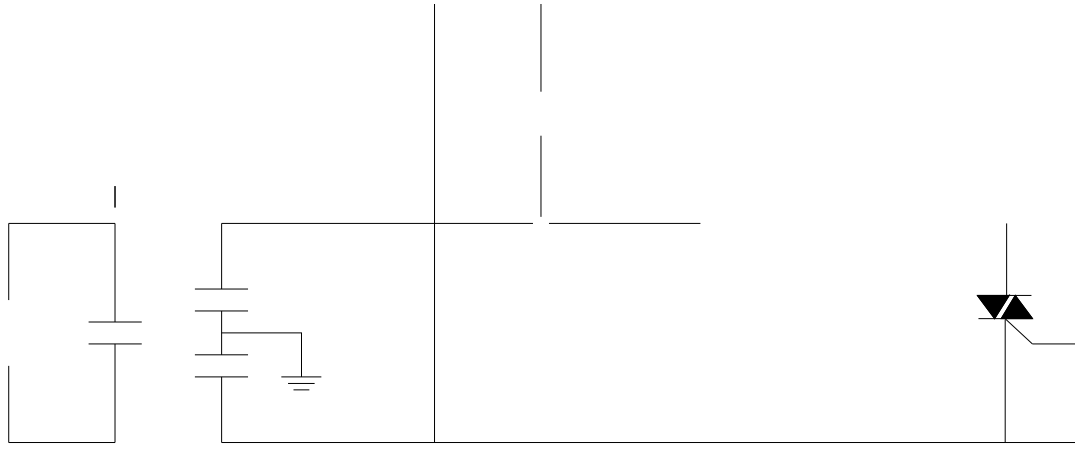


D Z</E'





),\* Ö7HVW FLUFXLW IRU LQGXFWLYH DQG UMDQQGDUJGH OF



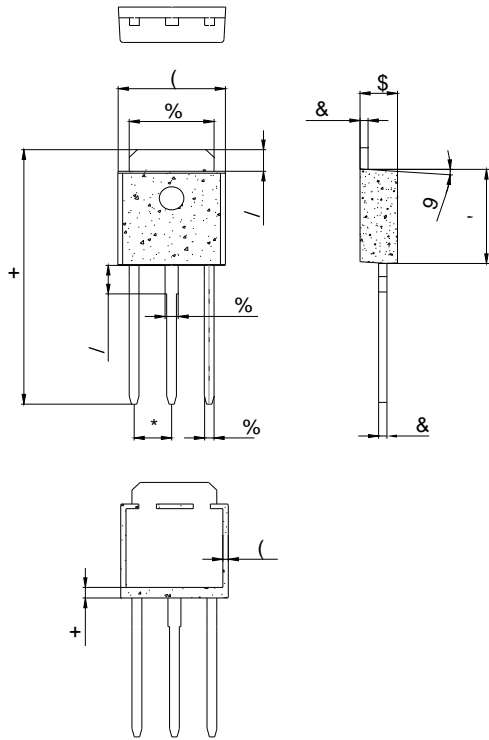
7 + +

-LH-LH 0LFURHOHFWURQL

KZ Z/E' /E&KZD d/KE

2UGHU FR	9ROWD 9.50 9.50 9	,*7 P\$	3DFNDJH %DVH TW\
----------	----------------------	---------	------------------

W < ' D , E / > d



5 HI	'LPHQVLRQV					
	0LOOLPHWHUV			,QFKHV		
	0LQ	7\ S	0D[	0LQ	7\ S	0D[
\$						
\$						
%						
%						
%						
&						
&						
,						
(						
(						
*						
+						
+						
/						

,QIRUPDWLRQ IXUQXPHQW ILQ WKOLHGRHG WR EH DFFXUDWH  
-LDQJVX -LH-LH 0L&URRHOWHG WDJROLFFVQLRWUHRUSRQHLERQVHT  
&S(4=`L X -WKRXWBP