

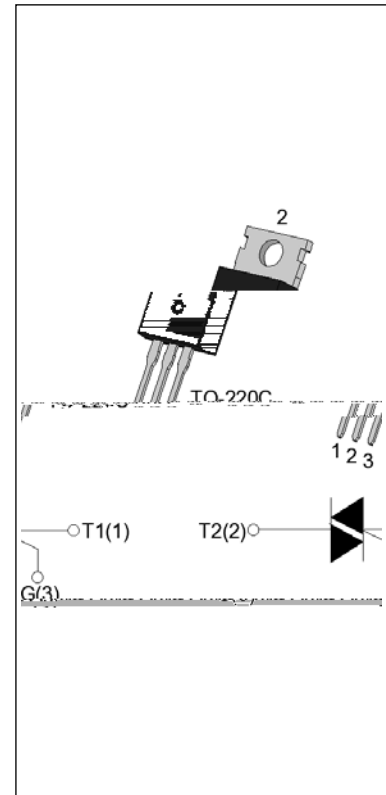


T1610H-8C 16A TRIAC

Rev.A.1.1

DESCRIPTION:

T 610H-8C TRIAC  
 150°C  
 -220C



MAIN FEATURES

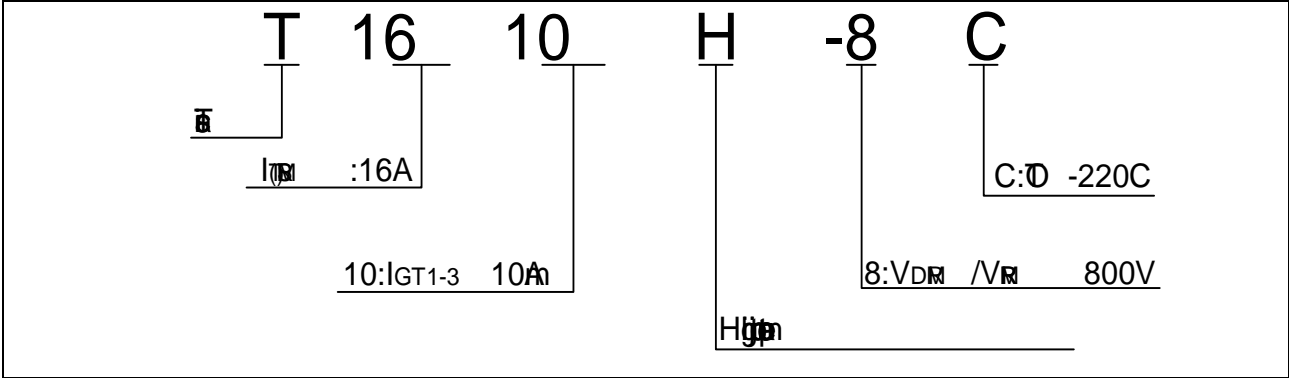
$I_{RM}$	16	A
$V_{DRM} / V_{RM}$	800	V
$I_{GT} / /$	10/10/10	A

ABSOLUTE MAXIMUM RATINGS

Parameter	Symbol	Value	Unit
Storage Temperature	$T_{\theta}$	-40-150	
Junction Temperature	$T_j$	-40-150	
Peak Repetitive Forward Current (pulsed, $f=25\text{ Hz}$ )	$V_{DRM}$	800	V
Peak Forward Current (pulsed, $f=25\text{ Hz}$ )	$V_{RM}$	800	V
Peak Forward Current (continuous, $f=127\text{ Hz}$ )	$I_{RM}$	16	A
Peak Forward Current (pulsed, $p=20\mu\text{s}$ , $f=25\text{ Hz}$ )	$I_{SM}$	160	A
Peak Forward Current (pulsed, $p=16.6\mu\text{s}$ , $f=25\text{ Hz}$ )		176	
Peak Forward Current (pulsed, $p=10\mu\text{s}$ , $f=25\text{ Hz}$ )	$I^2t$	72	$A^2s$
Peak Forward Current (pulsed, $I_G=2 \times I_{GT}$ , $f=100\text{ Hz}$ , $T_j=150$ )	$dI/dt$	100	$A/\mu\text{s}$
Peak Forward Current (pulsed, $p=20\mu\text{s}$ , $T_j=150$ )	$I_{GM}$	4	A
Peak Forward Current (pulsed, $f=150$ )	$P_{G(AV)}$	1	W

**T1610H-8C**

ORDERING INFORMATION



MARKING





ORDERING INFORMATION

Order code	Voltage V <sub>DRM</sub> /V <sub>R<sub>RM</sub></sub> (V)	IGT(mA)	Package	Base qty. (pcs)	Delivery mode
		- -			
T1610H-8C	800	10	TO-220C	50	Tube

Document Revision History

Date	Rev	Change
Apr.10, 2023	A.1.0	Initial
04, 2025	A.1.1	Revised PACKAGE MECHANICAL DATA

PACKAGE MECHANICAL DATA



