



JST02H-1000SW 2A TRIAC

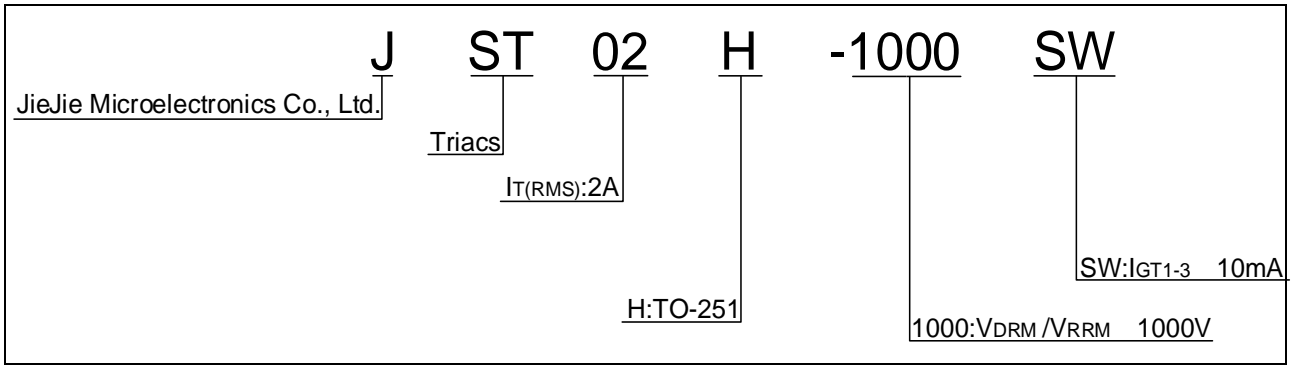
Rev.A.1.1

DESCRIPTION:

The



ORDERING INFORMATION



MARKING

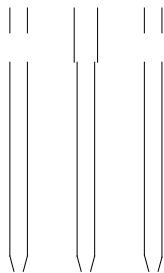
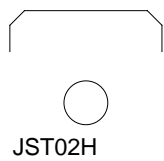


FIG.1: Maximum power dissipation versus RMS on-state current

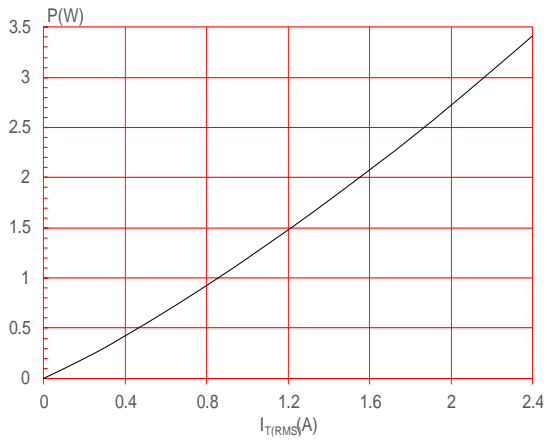
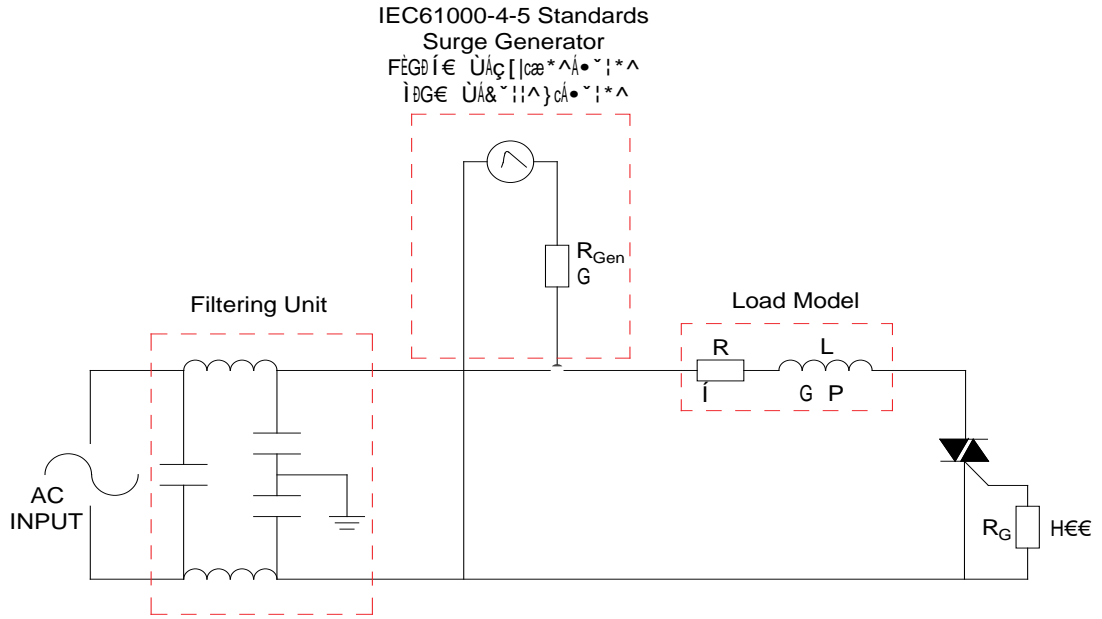


FIG.2: RMS on-state current versus case temperature



FIG.7 Test circuit for inductive and resistive loads to IEC-61000-4-5 standards





JST02H-10

