

-67) & : \$ 75, \$ &

5HY \$

1

^ Z/Wd/KEW

7KH -67) & : WUXLDFEVDHV IRU JHQHUDO SXUSRVH
 \$ & VZLWFKLQJ , W FDQ EH XVHG DV DQ 21 2)) IXQFWLRQ
 LQ DSSOLFDWLRQV VXFHODDWRULQGLQGXFWLRQ PRWRU
 VWDUWLQJ FLUFHQWV RIRRSHUWLRQ LQ OLJKW
 GLPPHUV PRWRU VSHHG FRQWUROOHUV -67) & :
 VQXEEHUOHVV WOODFHLFRPVSIRFDG IRU XVH RQ
 LQGXFWLYH ORDGVW%UQVQCSJODQWLF SDFNDJH
 -67) & : SURYLGHV D UDWHG LQVXODWLRQ YROWDJH RI
 9506 FRPSO\LQJ ZLWK 8/ VWDQGDUGV)LOH UHI (
 3DFNDJH 72) LV 5R+6 FRPSOLDQW

D /E & dhZ ^

6\PERO	9DOXH	8QLW
,7 506		
9'50 9'50		9
,*7		P\$

\$

^K>hd D y/DhD Z d/E'^

3DUDPHWHU	6\PERO	9DOXH	8QL
6WRUDJH MXSHFWLWLRQWHLPDQJHVWJ		7	
2SHUDWLQJWHFQSHUWLRQXUH	UDQJH	7	
5HSHWLWLYH SHDN RMI VWDWHYROWDJH	7	9	
5HSHWLWLYH SHDN WHYHUVH956ROWDJH	7	9	
506 RQ VWDWHFXUUHQW	7 ,7 506		\$
1RQ UHSHWLWLYH VXUJH SHDN RQ VWDWH FXUUHQW			\$
IXOO FS\FQV MW			
1RQ UHSHWLWLYH VXUJH SHDN ⁷⁶⁰ RQ VWDWH FXUUHQW			\$
IXOO FS\FQV W7			
, W YDOXH IRU PXVLRQJ W	, W		\$ V
&ULWLFDO BDWGRWDWHHF	XUUHQW		\$ V
; h,*7 l +]M 7	G, GW		
3HDN JDWH FXUUHQW W	,*0		\$
\$YHUDJH JDWH SRZHU GLV	VLSLWLRQ 7		:

-67) &:

-LH-LH 0LFURHOHFWURQL

3HDN JDWH SRZHU	3*0		:
3HDN SXOVH YROWDJH 7M QRQ UHSHWLWLYH RII VWDWH), *	9SS		

> dZ/ > , Z d Z^d/ XQOHVV RWKHUZLVH VSHFLILHG

6\PERO	7HVW &RQGLWLRQ	4XDGUDQW	9DOXH
,7		0\$;	P\$
9*7	9 9 5	0\$;	9
9*	9 9.50 7M 5/ N	0,1	9
/	, 7	0\$;	P\$
,+	,7 P\$	0\$;	P\$
G9 GW	99 *DWH 2SHQ 7	0,1	9 V
G, GW	F G9 GW F 9 V	7	0
WQ	, P\$ \$, P\$ 5, P\$	7 < 3	V
W11	7M		

^d d/ , Z d Z/^d/ ^

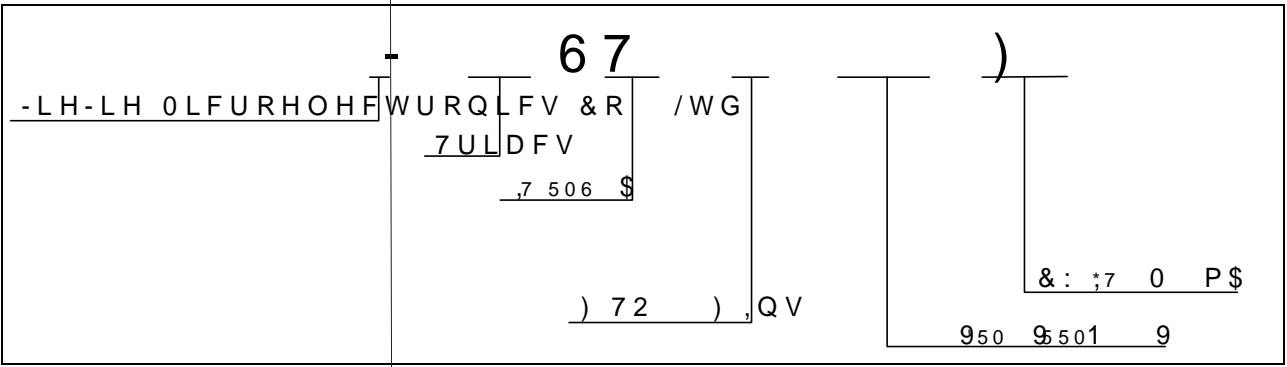
6\PERO	3DUDPHWHU	9DOXH 0\$;	8QLW
970	rd Q\$ \$W V	7	9
972	7KUHVKROG YRQWDJH	7	9

5'

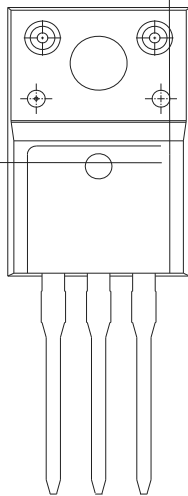
-67) &:

-LH-LH 0LFURHOHFWURQL

KZ Z/E' /E&KZD d/KE



D Z</E'

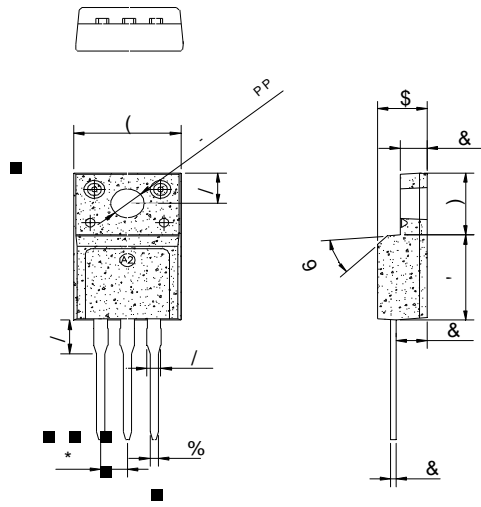


5p0p6 R Q pPupt@upt€p0t`u€uPuPt€u upp0u•t€uPu`u€u`p0t`t@u`t€p0

-67) &:

-LH-LH 0LFURHOHFWURQL

W < ' D , E/ > d



'LPHQVLRQV
 5 HI 0LOOLPHWHUV ,QFKHV
 0LQ 7\ S 0D[0LQ 7\ S 0D[

\$

%

&

&

&

'

(

)

*

+

/

/

/

9

tÉ ArP -

P tÉ Ar= 0

,QIRUPDWLRQ IXUQXFKHQW ILQ WKOLHGYMFB DORGEUHDOLFXELDDH +
 -LDQJVVX -LH-LH 0L&RRHOWHGFWDVROXLFHVVQLRVUHRUSRQKHLERQVH
 RI XVH ZLWKRXW FRQVLGHUDWLRQ IRG LWFKQLQURPUDWLRQRQ
 LQ WKLW GRFXPHQW LV VXEMHFW WR FKKDQHZKHLQKRXDJQR
 VLJQH G -LDQJVSOLHVLZILFKPWKH DJUHHPHQW
 3URGXFWV DQG LQIRUPDWLRQ SURYLGHG JHQHWLVRIGSDXV
 -LDQJVVX -LH-LH DVVXPEVOQW\UHRUSDQVILQWKLQJHULHQWVRR
 SDUWLHV ZKLFK PD\ UHVXOW IURP WKHPDWLFRQVXFKVSGRIG
 VXSHUVHGHV DQG UHSODFHV DOO LQIRUPDWLRQ SUHYLRXV
 LV D UHJLVWHUHGDQJDXGLHDUNRUF-ULRHOWHGFURQLFV &
 &RS\ULJKW -LDQJVVX -LH-LH 0LFURHOHFWURQLGKJWV UHVI