



IEEE-600S W8 ARC

R A.1.1

DESCRIPTION:

The IEEE-600S W8 ARC is a high speed  
 by .  
 ,  
 ,  
 ,  
 ,  
 .

IEEE-600S W8 ARC b

1	8	A
V <sub>max</sub> / V <sub>min</sub>	60	V

I<sub>c</sub> //

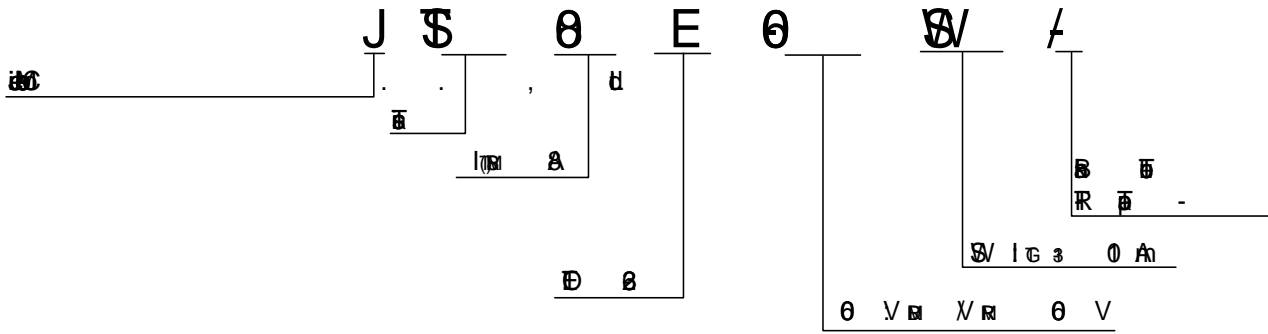
T <sub>g</sub>	-0.0	0	
T <sub>j</sub>	-0.2	2	
V <sub>max</sub>	60		V

I <sub>c</sub>	8	A
----------------	---	---

(I <sub>c2</sub> × I <sub>c</sub> , T)	0	A/μs
(I <sub>c</sub> , T)	4	A
P <sub>avg</sub>	0.5	W
P <sub>max</sub>	0	W

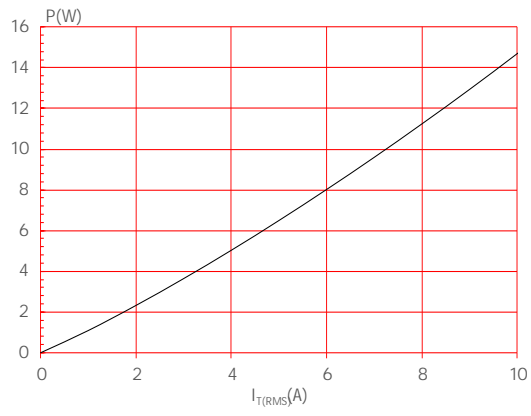


ORDERING INFORMATION



FG .1: ~~...~~

o ~~...~~



FG .2: ~~...~~

en

---

---

---

---

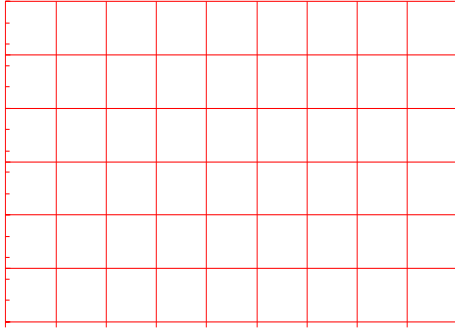
---

---

---

---

FG.7: ~~Meid~~ ,  
~~Meid~~  
Meid



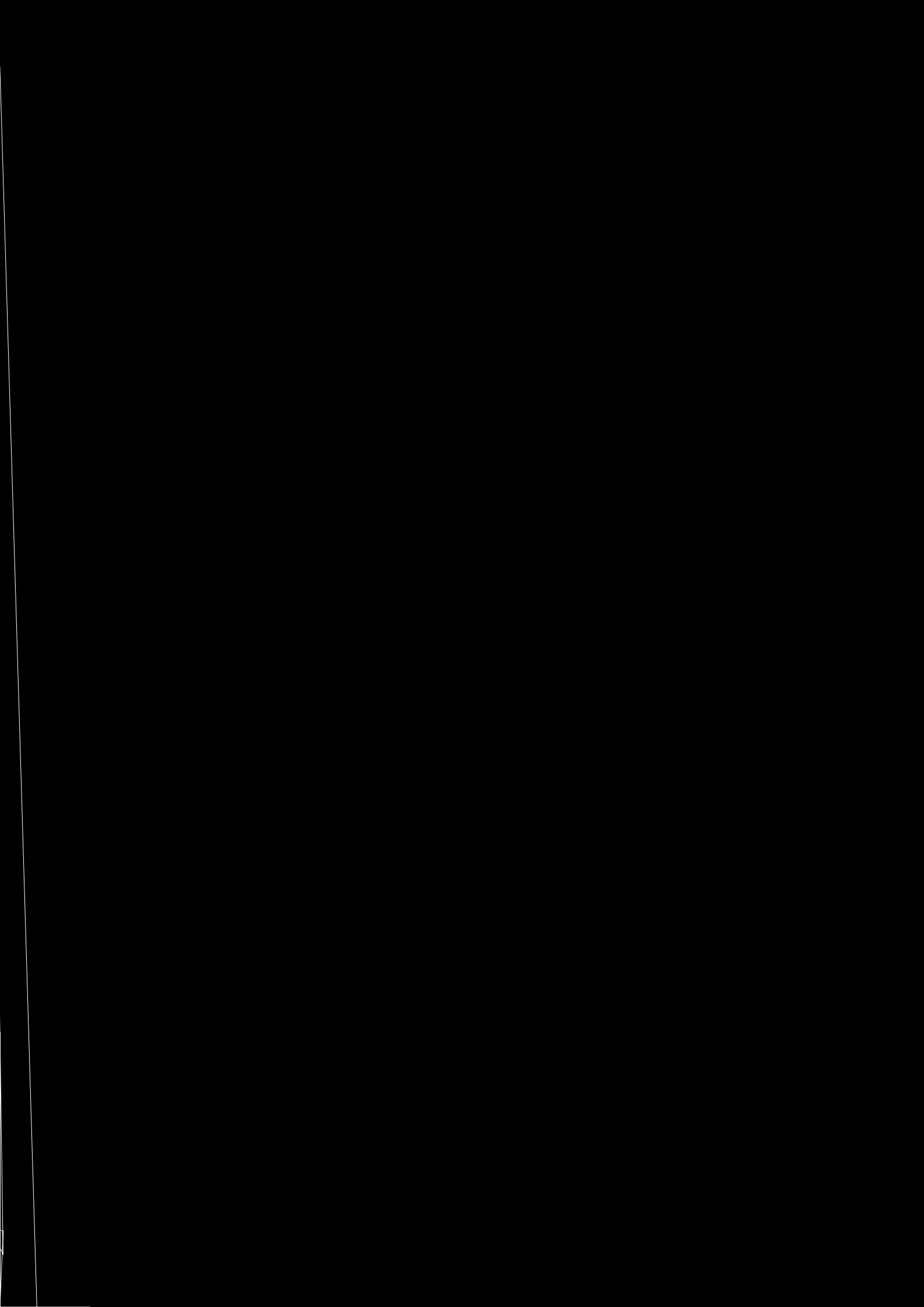
8E-6008

Jè Mb

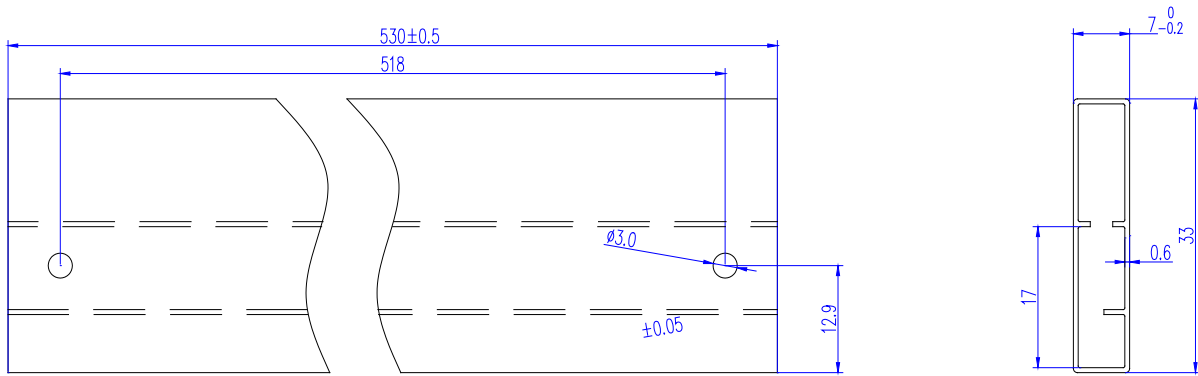
Co , d

ORDERING INFORMATION





DELIVERY MODE



1. 