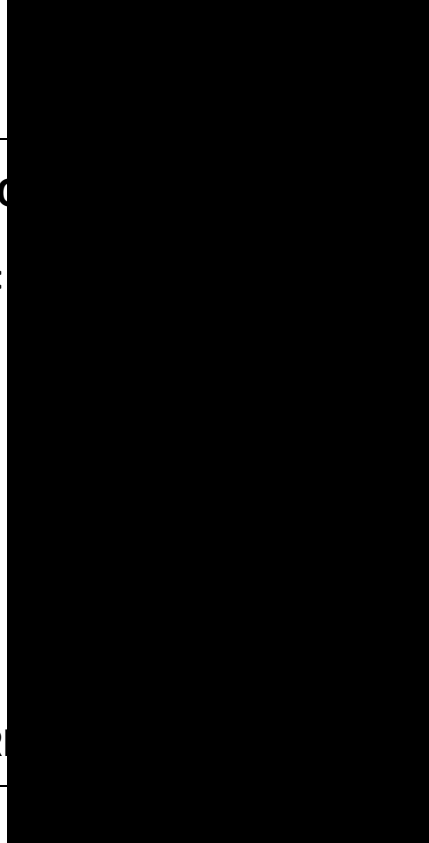




JST08E-8000

Rev.A.1.1

DESCRIPTION:



MAIN FEATURES

W L H		
T(RMS)		
DRM RRM		

GT /

ABSOLUTE MAXIMUM RATINGS

	stg	-40-150	
	j	-40-125	
j	DRM	800	V
j	RRM	800	V
c	T(RMS)	8	A
p j	ITSM	80	A
p j			
² p j	² t	32	A ² s
G GT j			
p j	GM		
j	G(AV)		
	GM		

TEL



Peak pulse voltage ($T_j=25$; non-repetitive, off-state; FIG.8)	V_{pp}	2	kV
--	----------	---	----

ELECTRICAL CHARACTERISTICS ($T_j=25$ unless otherwise specified)

Symbol	Test Condition	Quadrant	Value		Unit
I_{GT}	$V_D=12V$ $R_L=33$	- -	MAX.	35	mA
V_{GT}		- -	MAX.	1	V
V_{GD}	$V_D=V_{DRM}$ $T_j=125$ $R_L=3.3k$	- -	MIN.	0.2	V
I_L	$I_G=1.2I_{GT}$	-	MAX.	50	mA

ORDERING INFORMATION

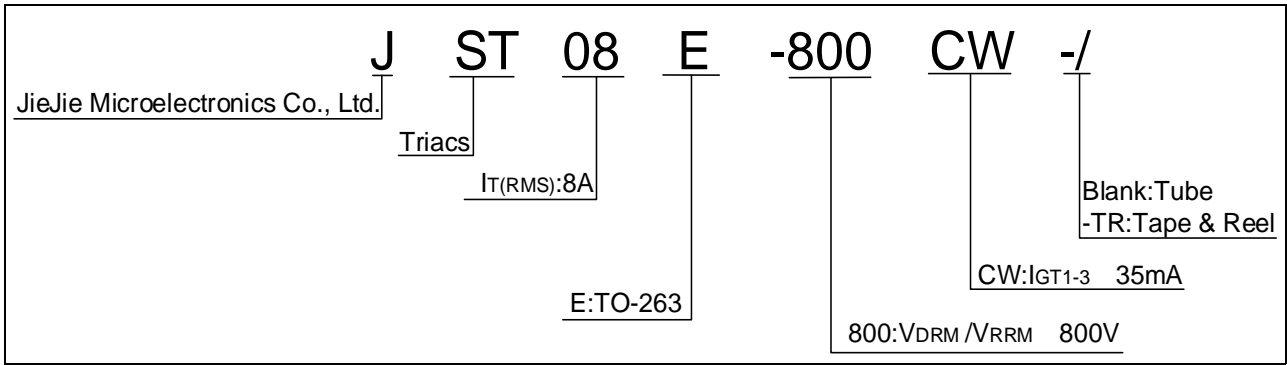


FIG.1: Maximum power dissipation versus RMS on-state current



FIG.2: RMS on-state current versus case temperature

FIG.7: Relative variations of gate trigger current, holding current and latching current versus junction temperature

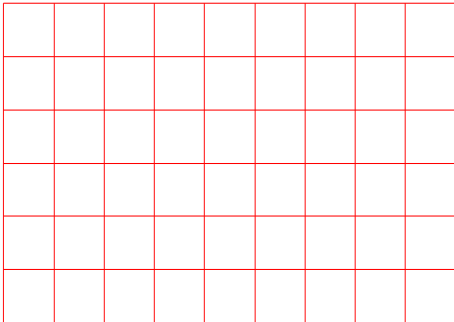
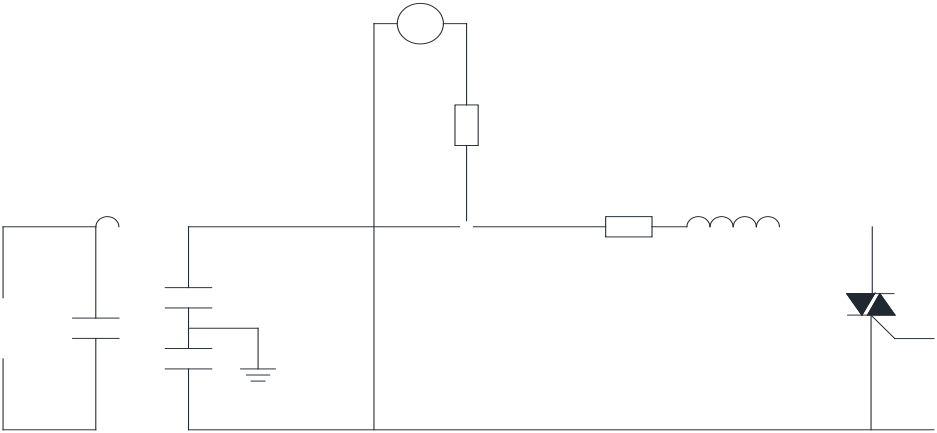


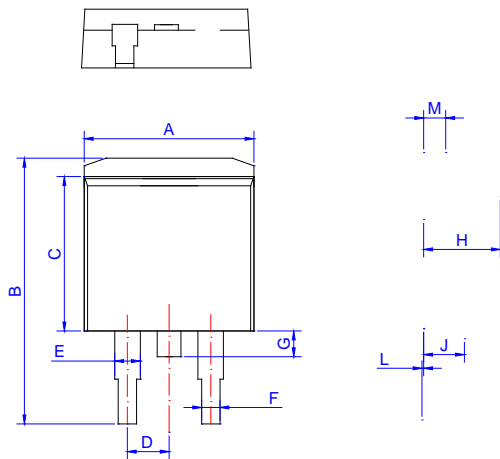
FIG.8 Test circuit for inductive and resistive loads to IEC-61000-4-5 standards



ORDERING INFORMATION

Order code	Voltage V_{DRM}/V_{RRM} (V)	IGT(mA)	Package	Base qty. (pcs)	Delivery mode
		- -			
JST08E-800CW	800	35	TO-263	50	Tub1.659(481-0481 r34 800)b1.65

PACKAGE MECHANICAL DATA ~~201~~



Ref.	Dimensions					
	Millimeters			Inches		
	Min.	Typ.	Max.	Min.	Typ.	Max.
A	9.90		10.20	0.390		0.402
B	14.70		15.80	0.579		0.622
C	9.40		9.60	0.370		0.378
D	2.40			0.094		
E	1.20		1.50	0.047		0.059
F	0.75		0.85	0.029		0.033

DELIVERY MODE

