



## JST08E-800SW 8A TRIAC

Rev.A.1.1

### DESCRIPTION:

The JST08E-800SW is a 8A TRIAC. It is a bidirectional device that can conduct current in both directions. It is suitable for AC power control applications. The device is packaged in a TO-18 package. The maximum operating temperature is 150°C. The maximum storage temperature is 175°C. The maximum surge current is 80A. The maximum average current is 8A. The maximum peak-to-peak current is 16A. The maximum peak current is 16A. The maximum peak-to-peak voltage is 800V. The maximum peak voltage is 800V. The maximum average voltage is 800V. The maximum average current is 8A. The maximum peak-to-peak current is 16A. The maximum peak current is 16A. The maximum peak-to-peak voltage is 800V. The maximum peak voltage is 800V. The maximum average voltage is 800V.

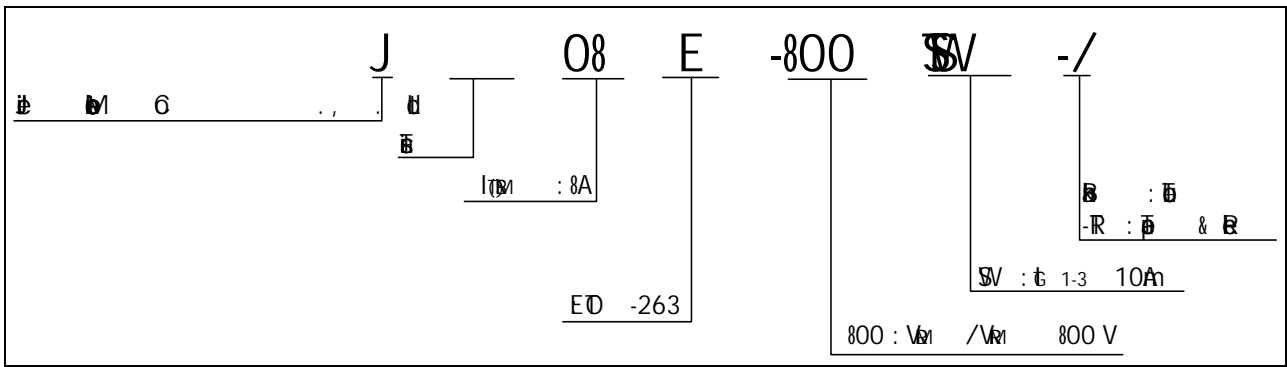
### MAIN FEATURES

### ABSOLUTE MAXIMUM RATINGS

Parameter	Symbol	Value	Unit
Storage temperature range	$T_s$	-40-150	
Operating temperature range	$T_j$	-40-125	
Peak-to-peak reverse voltage (T <sub>j</sub> ≤ 25 °C)	$V_{RM}$	800	V
Peak-to-peak forward voltage (T <sub>j</sub> ≤ 25 °C)	$V_{FM}$	800	V
Maximum average current (T <sub>c</sub> = 107 °C)	$I_{FM}$	8	A
Maximum peak-to-peak current (T <sub>j</sub> ≤ 25 °C, p ≤ 20ms)	$I_M$	80	A
Maximum peak-to-peak current (T <sub>j</sub> ≤ 25 °C, p ≤ 6.6ms)		88	



ORDERING INFORMATION



MARKING

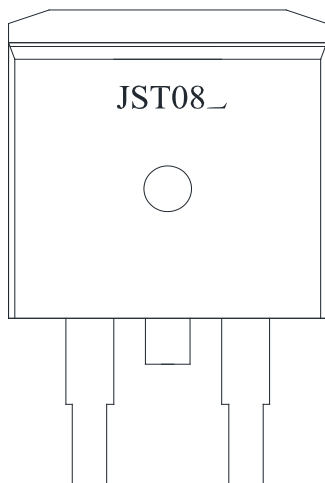
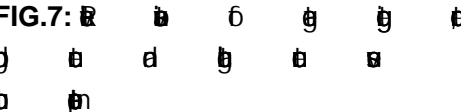


FIG.1:

FIG.7: 

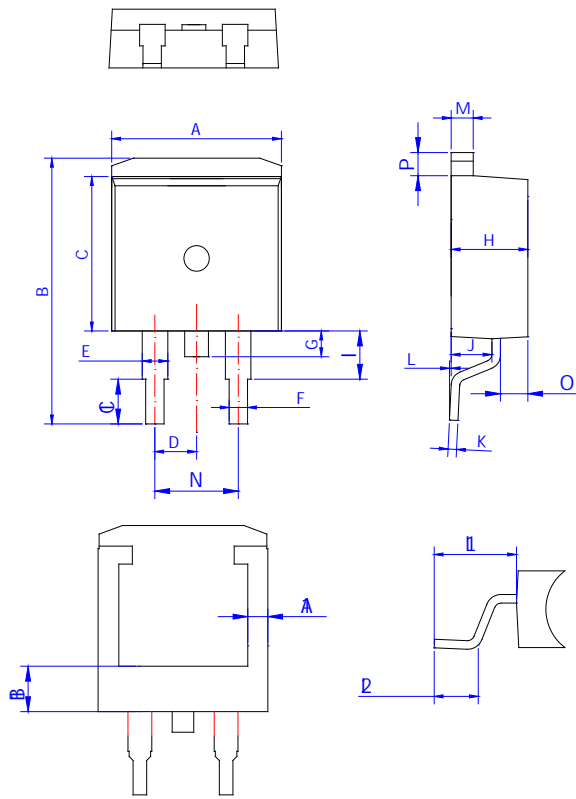


## ORDERING INFORMATION

Order code	Voltage $V_{DRM}/V_{RRM}$ (V)	IGT(mA)	Package	Base qty. (pcs)	Delivery mode
		- -			
JST08E-800SW	800	10	TO-263	50	Tube
JST08E-800SW-TR				800	Tape & Reel

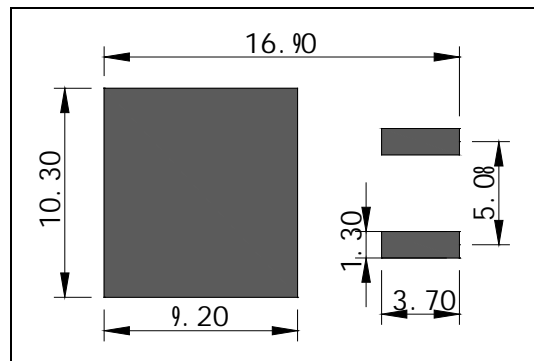
**Document Revision History**

PACKAGE MECHANICAL DATA

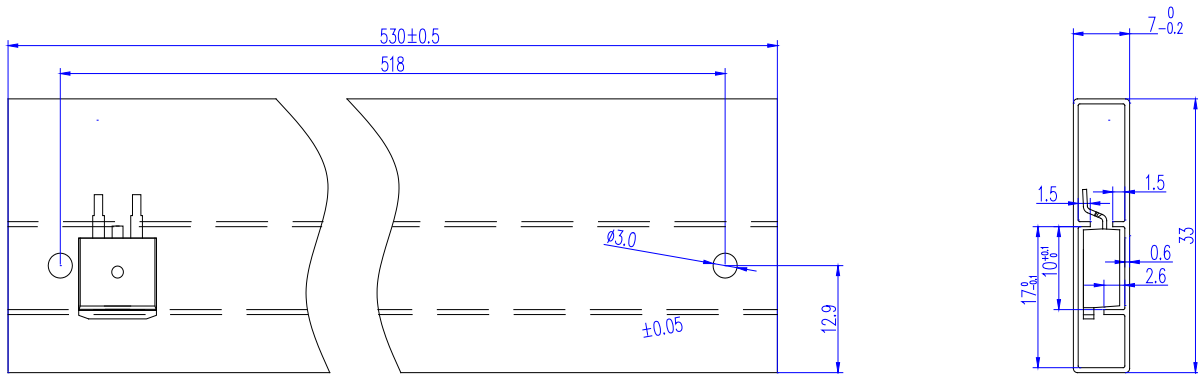


R	B					
	M			B		
	M	⌀	M	M	⌀	M
A	9.90		10.20	0.390		0.402
A	0.80		1.20	0.031		0.047
B	14.70		15.80	0.579		0.622
B	2.15		2.55	0.085		0.100
C	9.40		9.60	0.370		0.378
C	2.40		2.80	0.094		0.110
D	2.40		2.70	0.094		0.106
E	1.20		1.50	0.047		0.059
F	0.75		0.85	0.029		0.033
G	1.00		1.50	0.039		0.059
H	4.40		4.70	0.173		0.185
I	1.80		2.20			
J	2.30		2.70	0.091		0.106
K	0.38		0.55	0.015		0.022
L	0	0.10	0.25	0	0.004	0.010
L	4.65		5.05	0.183		0.199
⌀	1.90			0.075		
M	1.25		1.35	0.049		0.053
N	4.80		5.20			
O	1.30		1.50			
P	1.20		1.50	0.047		0.059

FOOTPRINT-TO-263(dimensions in mm)



## DELIVERY MODE



PACKAGE

