

- 6 7 ) & \$ 7 5 , \$ &

5 H Y \$

^ Z / W d / K E W

7 K H - 6 7 ) & W U L D F L V V X L W D E O H I R U J H Q H U D O S X U S R V H  
 \$ & V Z L W F K L Q J , W F D Q E H X V H G D V D Q 2 1 2 ) ) I X Q F W L R Q  
 L Q D S S O L F D W L R Q Q J V X H K X D D W H B Q W L Q G X F W L R Q  
 P R W R U V W D U W W C S K B M W H F X B B W D W R O R Q L Q  
 O L J K W G L P P H U V F R R W R B R O S H U H G % \ X V L Q J D Q  
 H [ W H U Q D O S O D W L F S D F S D R Y L G H V D U D W H G  
 L Q V X O D W L R Q Y R O W D F R F R S O \ L Q 9 5 Z L W K 8 /  
 V W D Q G D U G V ) L O H U H I ( 3 D F N D J H 7 2 ) L V  
 5 R + 6 F R P S O L D Q W

D / E & d h Z ^

6 \ P E R O	9 D O X H	8 Q L W
, 7 5 0 6		
9 5 0 \$ 5 0		9
, * 7		P \$

\$
----

^ K > h d D y / D h D Z d / E ' ^

3 D U D P H W H U	6 \ P E R O	9 D O X H	8 Q L W
6 W R U D J H M X S H F U L W R Q U W H P D Q J H V W J		7	
2 S H U D W L Q J W H X C S H W L R Q X U H	U D Q M J H	7	
5 H S H W L W L Y H S H D N R M I V W D W H 9 5 0 Y R O W D J H		7	9
5 H S H W L W L Y H S H D N W H Y H U V H 9 5 0 Y R O W D J H		7	9
5 0 6 R Q V W D W H & F X U U H Q W	7 , 7 5 0 6		\$
1 R Q U H S H W L W L Y H V X U J H S H D N R Q V W D W H F X U U H Q W			\$
IXOO F s \ F O H M W			\$
1 R Q U H S H W L W L Y H V X U J H S H D N R Q V W D W H F X U U H Q W	7 6 0		\$
IXOO F s \ F O H P V W 7			\$
, W Y D O X H I R U P X V L M Q J W	, W		\$ V
& U L W L F D O U D W H R I U L V H R I R Q V W D W H			\$ V
F X U U H Q W * 7 , I + ]	G , G W		\$ V
7 M			\$
3 H D N J D W H F X U U H Q W W	, * 0		\$
\$ Y H U D J H J D W H S R Z H U G L V V L S D W L R Q 7			:
3 H D N J D W H S R Z H U	3 * 0		:

- 67 ) &

- LH-LH 0LFURHOHFWURQL

---

3HDN SXOVH YROWDJH

7M

-67 ) &

-LH-LH 0LFURHOHFWURQL

KZ Z/E' /E&KZD d/KE

-                    67                    )                    &

-LH-LH 0LFURHOHFWURQLFV &R /WG                    )

\_ZULDFV

,7 506 \$

) 72 ) ,QV

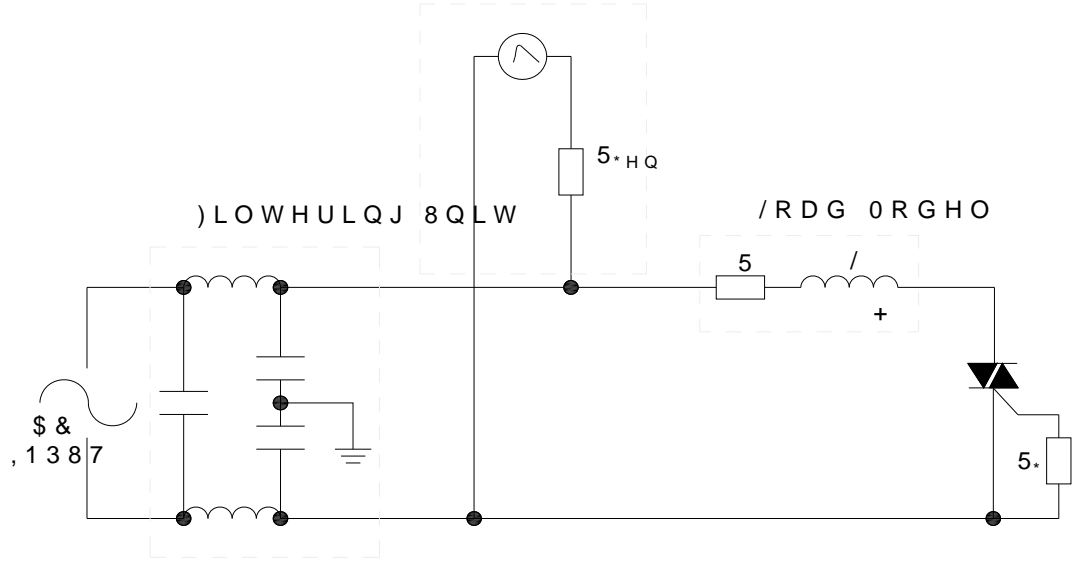
& \*7 0 P\$ \*7 0 P\$

950 9501 9



), \* Ö7HVW FLUFXLW IRU LQGXFWLYH DQG UMDQGDUGV OR

, (& 6WDQGDUGV  
6XUJH \*HQHUDWRU  
6 YROWDJH VXUJH  
6 FXUUHQW VXUJH



> &KZD/E' E ^K> Z/E'

5HIHU WR WKH DSSOLFDFWLRQ QRWH 3\$RUMPLED\7KQVRWUJKFKRORHQ3DIRNDJH  
-LH-DH} œ} o šœ}v] •X

-67 ) &

-LH-LH 0LFURHOHFWURQL

KZ Z/E' /E&KZD d/KE

2UGHU FR	9ROWD 9.50 9.50 9	,*7 P\$		3DFNDJ	%DVH SFV	'HOLYHU\ PRGH
-67 ) &				72 )	,QV	7XEH

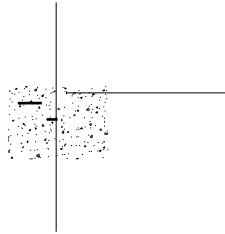
'RFXPHQWYLVLRQ +LVWRU\

'DWH	5HYLVLRQ	&KDQJHV
\$SU	\$	/DVW XSGDWHG
2FW	\$	5HYLVLRQ.*\$*(0(&+\$1,&\$/'\$7\$

-67 ) &

-LH-LH 0LFURHOHFWURQL

W < ' D , E/ > d



,QIRUPDWLRQ IXUQXPHQW ILQ WKOLHGRHG WR EH DFFXUDWH D  
 -LDQJVVX -LH-LH 0LFURHOHFWURQLFV & W\ I/RUGWKH VRIQW HQRX  
 XVH ZLWKRXW FRQVKGHQBWBQURQ QRU XVH EHRQG LW ,  
 WKLV GRFXPHQWKDQVXENZLMPVR XWR FRMLWHZKDSDDQ DJRPHPH  
 VLJQH G -LDQJVXOLHVLZLWRKPWKH DJUHHPHQW  
 3URGXFWV DQG LQIRULQDWKLRQGRURXFLGQV KDYH QR LQIULQJ  
 -LDQJVVX -LH-LH DVVXPHV QR UHVSQQV