

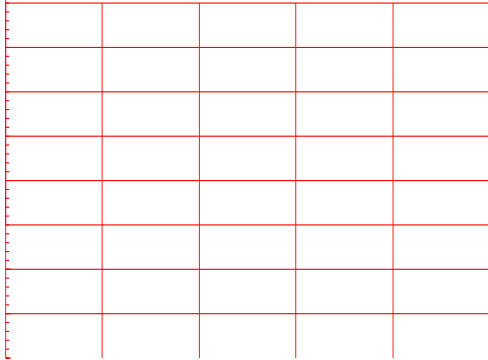


**ELECTRICAL CHARACTERISTICS**

**JST134K-600T**

**JieJie**

**FIG.1:** Maximum power dissipation versus RMS on-state current



**FIG.2:** RMS on-state current versus case temperature

**FIG.7:** Relative variations of gate trigger current, holding current and latching current versus junction temperature

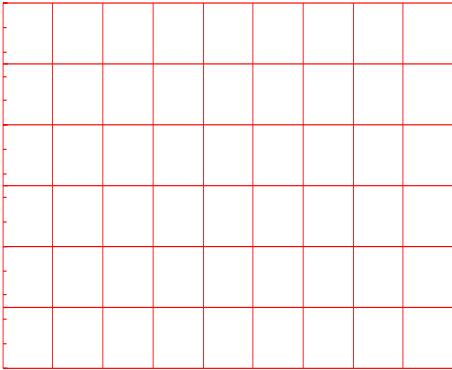
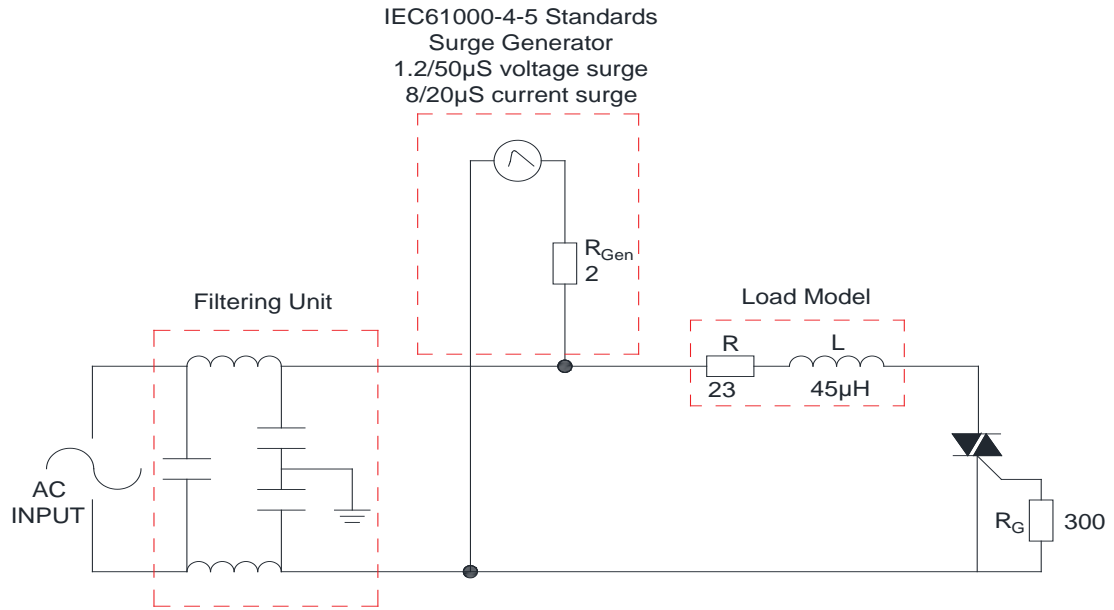


FIG.8 Test circuit for inductive and resistive loads to IEC-61000-4-5 standards



**ORDERING INFORMATION**







