

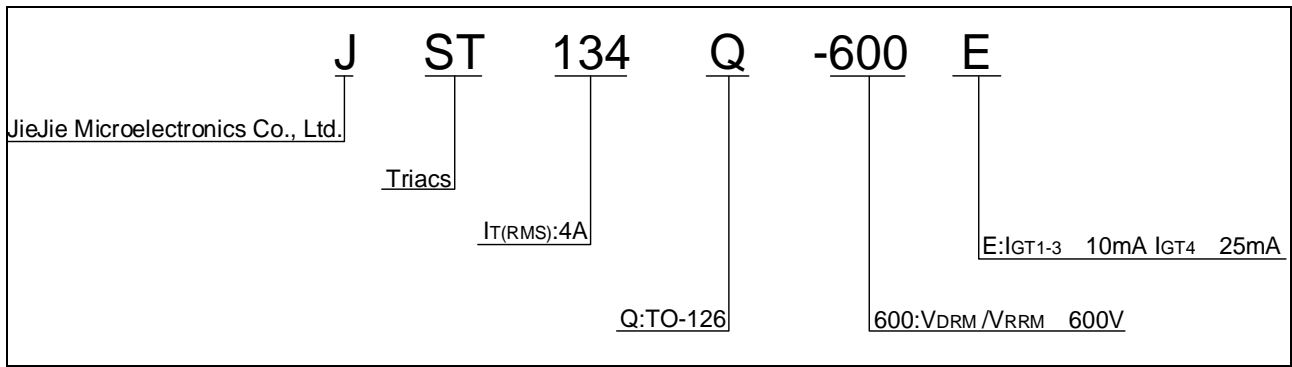


**ELECTRICAL CHARACTERISTICS** ( $T_j=25$  unless otherwise specified)

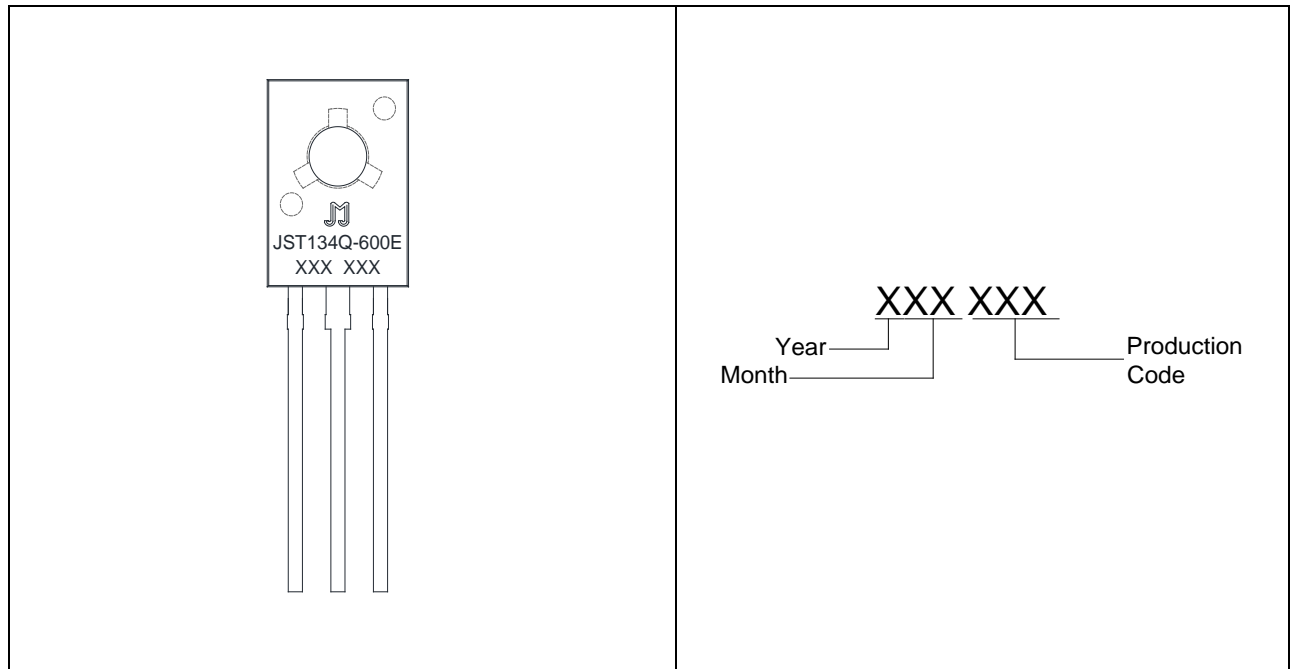
Symbol	Test Condition	Quadrant	Value		Unit
$I_{GT}$	$V_D=12V$ $R_L=33$	- -	MAX.	10	mA
				25	
$V_{GT}$		ALL	MAX.	1	V
$V_{GD}$	$V_D=V_{DRM}$ $T_j=125$ $R_L=3.3k$	ALL	MIN.	0.2	V
$I_L$	$I_G=1.2I_{GT}$	- -	MAX.	15	mA
				25	
$I_H$	$I_T=100mA$		MAX.	20	mA

dV/dt  $V_D=400V$  Op 0 Te

ORDERING INFORMATION



MARKING

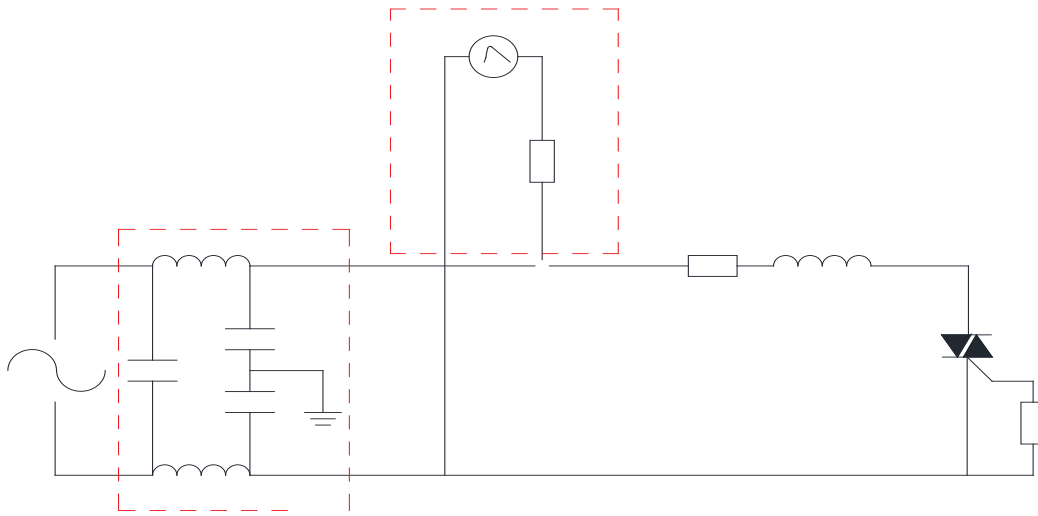


**FIG.1:** Maximum power dissipation versus RMS on-state current



**FIG.2:** RMS on-state current versus case temperature

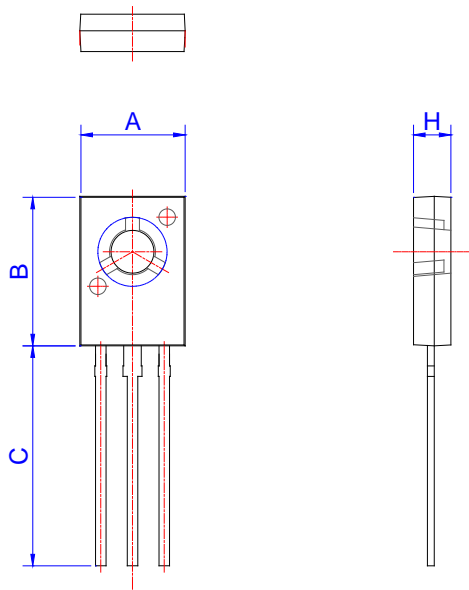
FIG.7 Test circuit for inductive and resistive loads to IEC-61000-4-5 standards



**ORDERING INFORMATION**

**Order code**

PACKAGE MECHANICAL DATA



Ref.	Dimensions					
	Millimeters			Inches		
	Min.	Typ.	Max.	Min.	Typ.	Max.
A	7.40		7.80	0.2913	0.3071	
B	10.6			0.4173		
C	15.3			0.6024		
D	3.90			0.1535		
E						
F						
G						
H						
J						
K						

