

ELECTRICAL CHARACTERISTICS (unless otherwise specified)

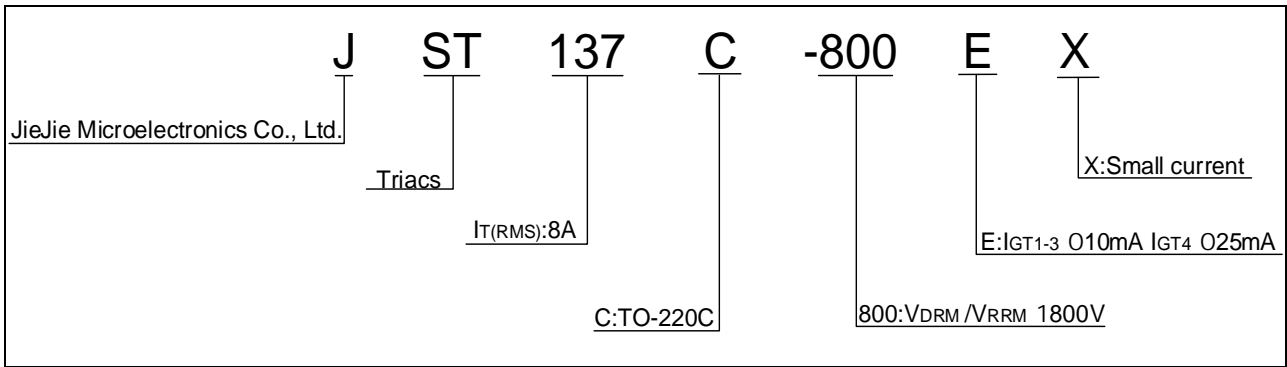
Symbol	Test Condition	Quadrant	Value	Unit
--------	----------------	----------	-------	------

I_{GT}

$V_D=12V R_L=33$

- - 10GTmAGT

ORDERING INFORMATION



MARKING

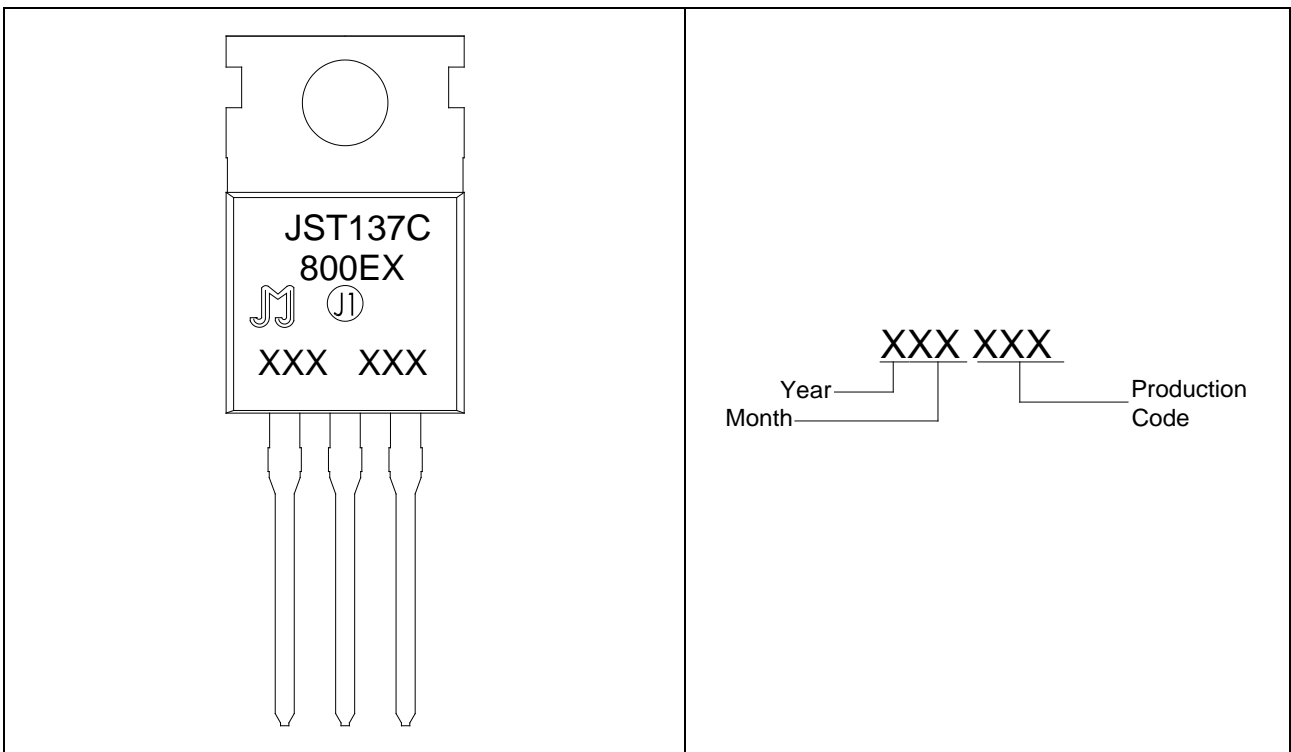


FIG.1: Maximum power dissipation versus RMS on-state current

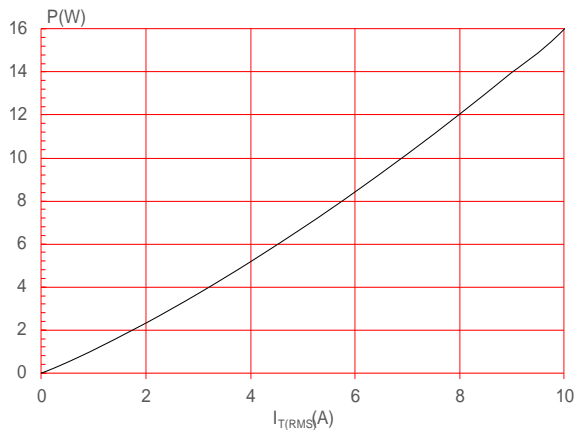
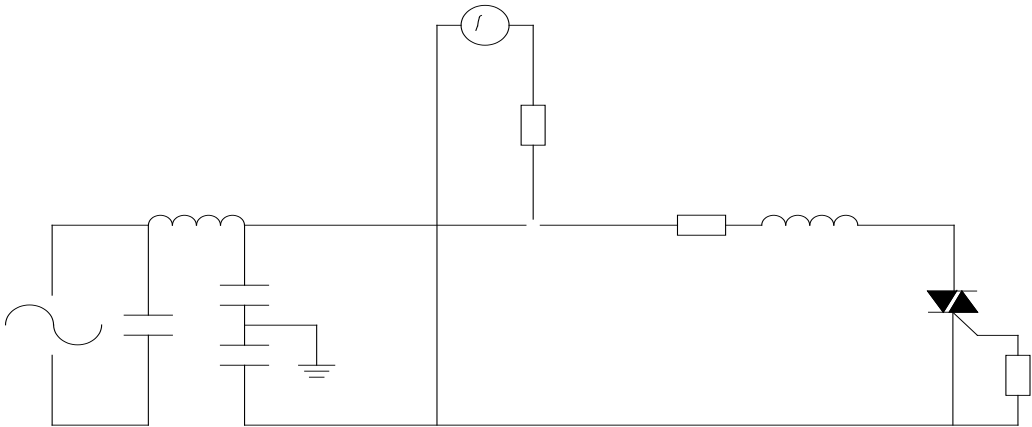


FIG.2: RMS on-state current versus case temperature

FIG.3: Surge peak on-state current versus number of cycles



FIG.7 ÖTest circuit for inductive and resistive loads to IEC-61000-4-5 standards



ORDERING INFORMATION

Order code	Voltage V_{DRM}/V_{RRM} (V)	IGT(mA)		Package	Base qty. (pcs)	Delivery mode
		H- I- J	K			
JST137C-800EX	800	10	25	TO-220C	50	Tube

Document Revision History

Date	Revision	Changes
Apr.14, 2023	A.1.0	Last updated
Oct.16, 2025	A.1.1	Revise PACKAGE MECHANICAL DATA

Information furnished in this document is believed to be accurate and reliable. However, Jiangsu JieJie Microelectronics Co., Ltd assumes no responsibility for the consequences of use without consideration for such information nor use beyond it. Information mentioned in this document is subject

signed, Jiangsu JieJie complies with the agreement.

Products and information provided in this document have no infringement of patents.

Jiangsu JieJie assumes no responsibility for any infringement of other rights of third

parties which may result fJQ0 (t)2 (s)017, (om)4362()Tj -0.t (i)6Td 03 Tw 0.21 0 Td 39(i)6 (es)JTJ 0 Tc0