

JST139D-800F 16A

ELECTRICAL CHARACTERISTICS (unless otherwise specified)

Symbol	Test Condition	Quadrant	Value		Unit
I <sub>GT</sub>	V <sub>D</sub> =12V R <sub>L</sub> =33	- -	MAX.	25	mA
				70	
V <sub>GT</sub>		ALL	MAX.	1	V
V <sub>GD</sub>	V <sub>D</sub> =V <sub>DRM</sub> T <sub>j</sub> =125 R <sub>L</sub> =3.3k	ALL	MIN.	0.2	V
I <sub>L</sub>	I <sub>G</sub> =1.2I <sub>GT</sub>	- -	MAX.	50	mA
				100	
I <sub>H</sub>	I <sub>T</sub> =500mA		MAX.	40	mA .5<</MCID

ORDERING INFORMATION

FIG.1: Maximum power dissipation versus RMS on-state current

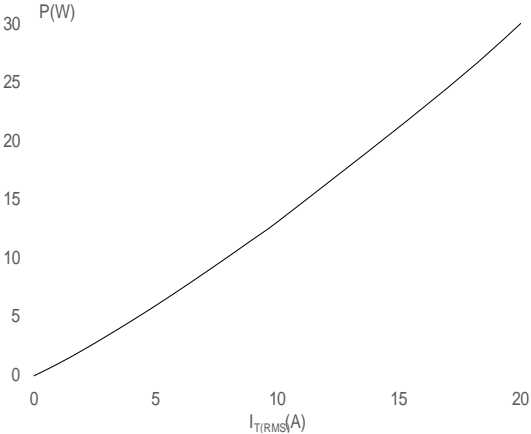
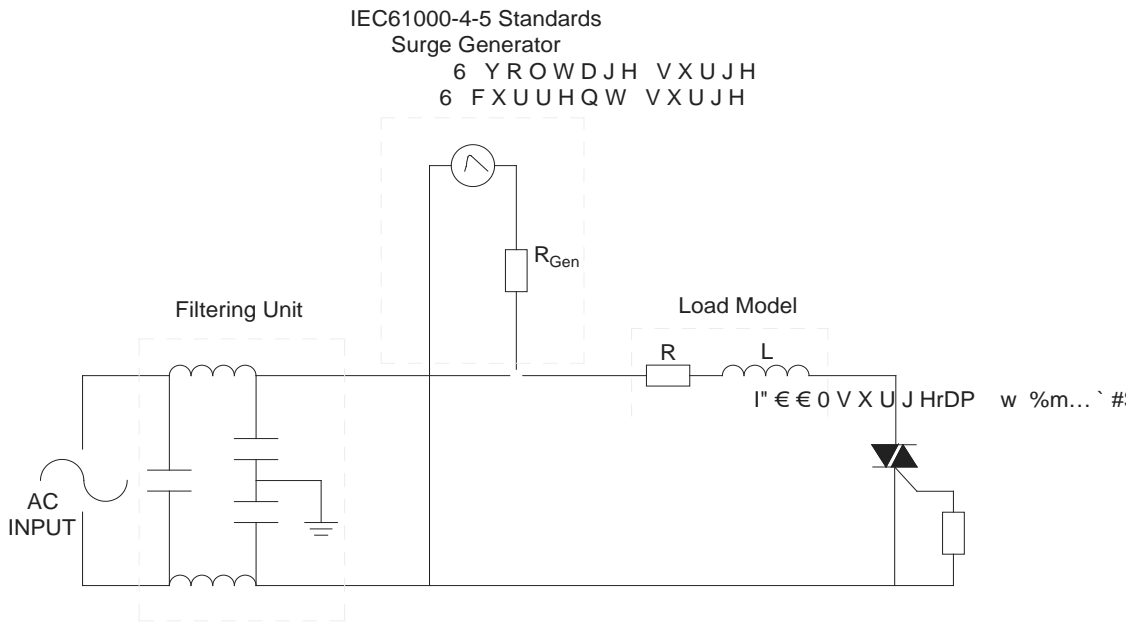


FIG.2: RMS on-state current versus case temperature

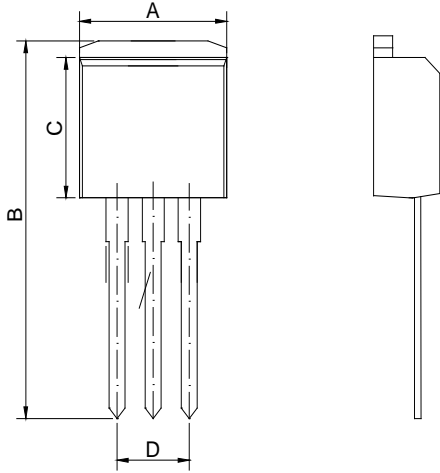
FIG.7 ÖTest circuit for inductive and resistive loads to IEC-61000-4-5 standards



ORDERING INFORMATION



PACKAGE MECHANICAL DATA



Ref.	Dimensions					
	Millimeters			Inches		
	Min.	Typ.	Max.	Min.	Typ.	Max.
A	9.95		10.20	0.392		0.402
B	23.85		24.05	0.939		0.947
C	9.40		9.60	0.370		0.378
D	4.95		5.25	0.195		0.207
E	1.35		1.40	0.053		0.055
F	0.80		0.85	0.031		0.033
G	2.70		3.40			
H	4.45		4.55	0.175		0.179
J	2.20		2.60	0.087		0.102
K	0.48		0.52	0.019		0.020
L	1.30		1.35			

