



JST1 6C-600TW 1~~6~~ TRIAC

Rev. A. 1.1

Peak pulse voltage ($T_j=25$; nonrepetitive, off state; FIG.7)	V_{pp}	3	kV
---	----------	---	----

ELECTRICAL CHARACTERISTICS ($T_j=25$ unless otherwise specified)

Symbol	Test Condition	Quadrant	Value		Unit
I_{GT}	$V_D=12V R_L=33$	- -	MAX.	5	mA
V_{GT}		- -	MAX.	1	V
V_{GD}	$V_D=V_{DRM} T_j=125$ $R_L=3.3k$	- -	MIN.	0.2	V
I_L	$I_G=1.2I_{GT}$	-	MAX.	15	mA
				20	
I_H	$I_T=500mA$		MAX.	15	mA
dV/dt	$V_D=400V$ Gate Open $T_j=125$		MIN.	100	V/s
(dI/dt) _c	(dV/dt) _c $\neq 9$ $V/125$		MIN.	1.5	A/ms
t_{on}	$I_G=10mA I_A=200mA I_R=20mA$ $T_j=25$		TYP.	3	s
t_{off}				25	

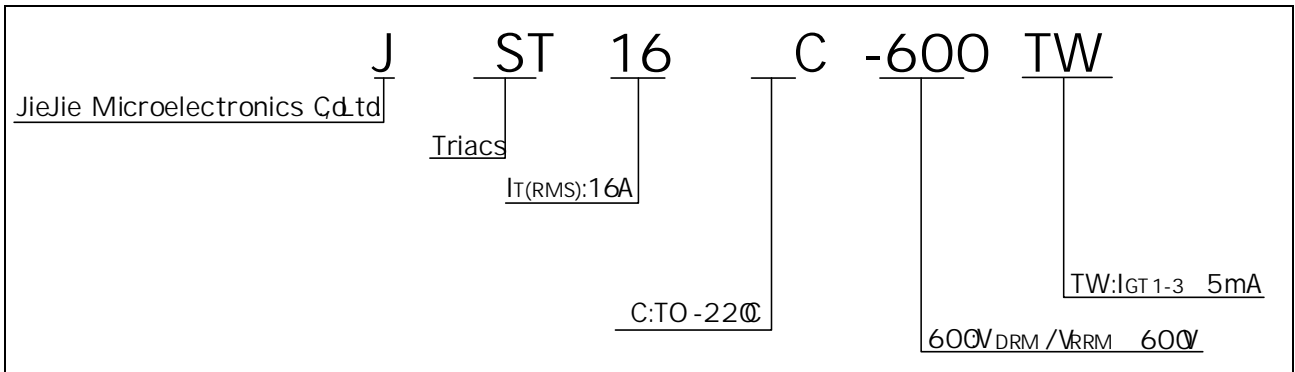
STATIC CHARACTERISTICS

Symbol	Parameter		Value(MAX.)	Unit
V_{TM}	$I_{TM}=22.5A t=380s$	$T_j=25$	1.5	V
V_{TO}	Threshold voltage	$T_j=125$	0.77	V
R_D	Dynamic resistance	$T_j=125$	30	P
I_{DRM}	$V_D=V_{DRM} V_R=V_{RRM}$	$T_j=25$	5	A
I_{RRM}		$T_j=125$	0.4	mA

THERMAL RESISTANCES

Symbol	Parameter	Value	Unit
$R_{th(jc)}$	junction to ce (AC)	1.1	/W
$R_{th(ja)}$	/W		

ORDERING INFORMATION



MARKING

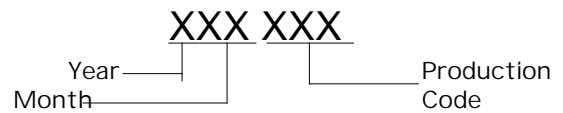
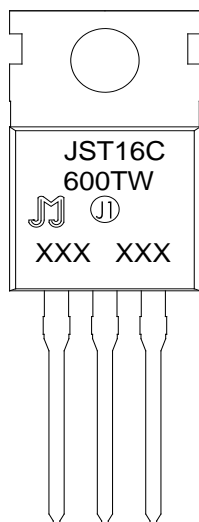
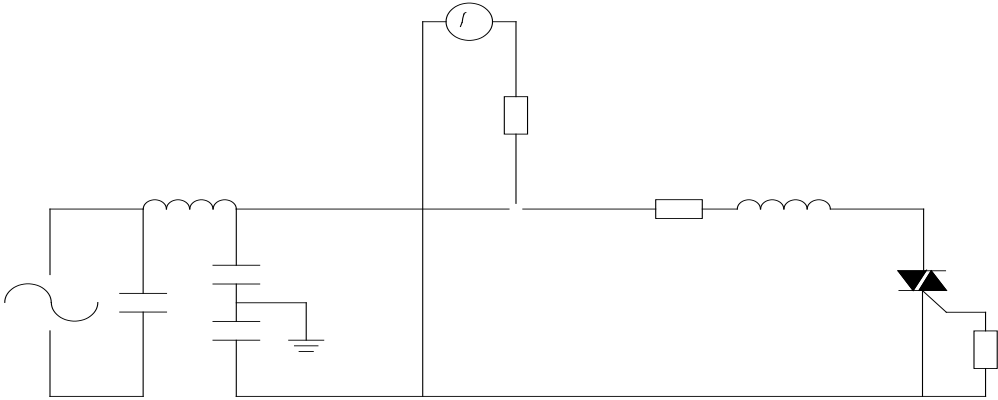


FIG.1 : Maximum power dissipation versus RMS
on-state current

FIG.2:

FIG.7 Test circuit for inductive and resistive loads to IEC 61000-5 standards



ORDERING INFORMATION

Order code	Voltage V_{DRM}/V_{RRM} (V)	IGT (mA)	Package	Base qty. (pcs)	Delivery mode
		H- I- J			
JST1 6C-600TW	600	5	TO-220C	50	Tube

Document Revision History

Date	Revision	Changes
Apr.12, 2023	A.1.0	Last updated
Oct.15, 2025	A.1.1	Revise PACKAGE MECHANICAL DATA

Information furnished in this document is believed to be accurate and reliable. However, Jiangsu JieJie Microelectronics Co., Ltd. assumes no responsibility for the consequences of use without consideration for such information nor use beyond it. Information mentioned in this document is subject to change without notice, apart from that when an agreement is signed, Jiangsu JieJie complies with the agreement.

Products and information provided in this document have no infringement of patents. Jiangsu JieJie assumes no responsibility for any infringement of other rights of third parties which may result from the use of such products and information. This document supersedes and replaces all information previously supplied.

 is a registered trademark of Jiangsu JieJie Microelectronics Co., Ltd.

Copyright © 2025 Jiangsu JieJie Microelectronics Co., Ltd. All rights reserved.