

($T_j=25$; non-repetitive, off-state; FIG.8)			
--	--	--	--

ELECTRICAL CHARACTERISTICS (unless otherwise specified)

Symbol	Test Condition	Quadrant	Value		Unit
I_{GT}	$V_D=12V$ $R_L=33$	- -	MAX.	50	mA
V_{GT}		- -	MAX.	1	V
V_{GD}	$V_D=V_{DRM}$ $T_j=125$ $R_L=3.3k$	- -	MIN.	0.2	V
I_L	$I_G=1.2I_{GT}$	-	MAX.	80	mA
				100	
I_H	$I_T=500mA$		MAX.	75	mA
dV/dt	$V_D=400V$ Gate Open $T_j=125$		MIN.	2500	V/s
$(dI/dt)_c$	G 9 G W F $T_j=125$ V 7		MIN.	25	A/ms
t_{on}	$I_G=80mA$ $I_A=400mA$ $I_R=40mA$ $T_j=25$		TYP.	10	s
t_{off}				70	

STATIC CHARACTERISTICS

Symbol

ORDERING INFORMATION

J	ST	24	E	-600	BW	-/
JieJie Microelectronics Co., Ltd.	Triacs IT(RMS):25A	E:TO-263		600:VDRM /VRRM 600V	BW:IGT1-3 50mA	Blank:Tube -TR:Tape & Reel

MARKING

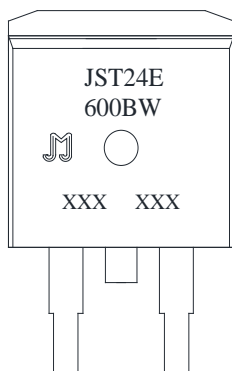
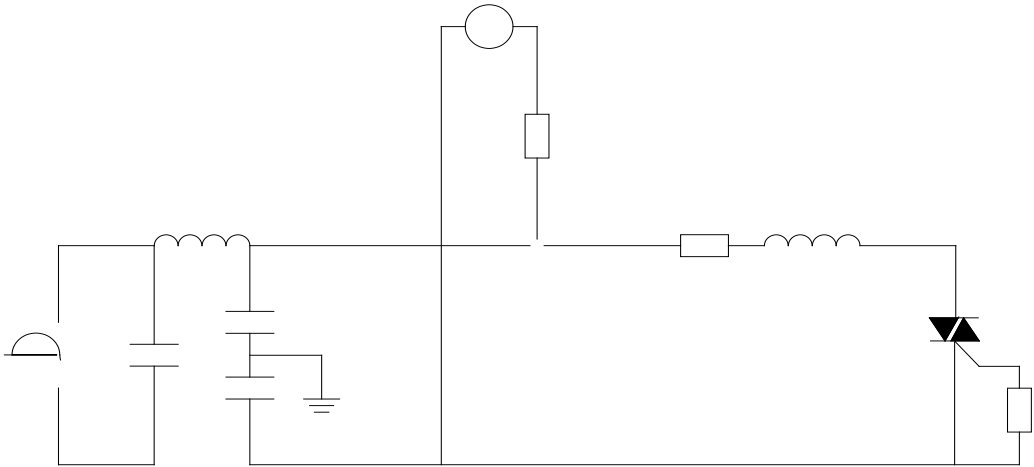


FIG.7: Relative variations of gate trigger current, holding current and latching current versus junction temperature

FIG.8: Test circuit for inductive and resistive loads to IEC-61000-4-5 standards



ORDERING INFORMATION

Order code	Voltage V_{DRM}/V_{RRM} (V)	IGT(mA)	Package	Base qty. (pcs)	Delivery mode
		H- I- J			
JST24E-600BW	600	50	TO-263	50	Tube
JST24E-600BW-TR				800	Tape & Reel

Document Revision History

Date	Revision	Changes
Apr.12, 2023	A.1.0	Last updated
Oct.20, 2025	A.1.1	Revise PACKAGE MECHANICAL DATA

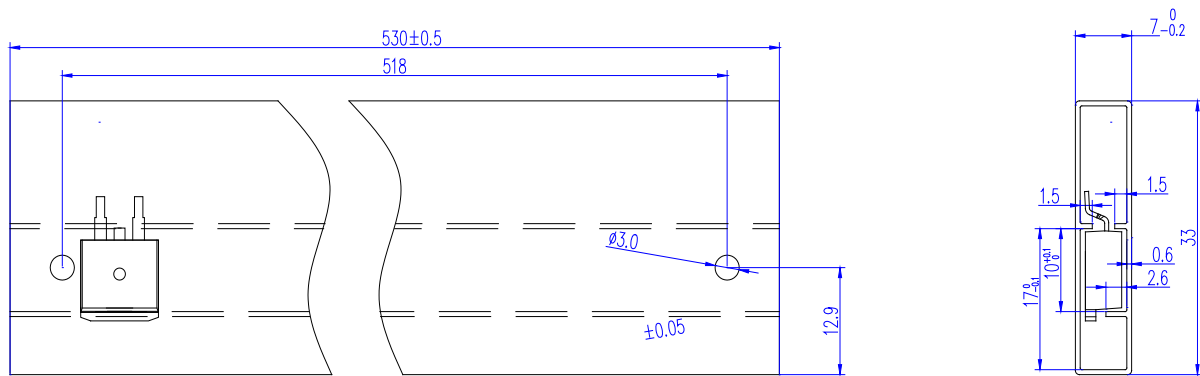
PACKAGE MECHANICAL DATA

Dimensions

Millimeters

Inches

DELIVERY MODE



PACKAGE	OUTLINE	TUBE (PCS)	INNER BOX (PCS)	PER CARTON
TO-263	TUBE	50	1,000	5,000

Ref.	Dimensions					
	Millimeters			Inches		
	Min.	Typ.	Max.	Min.	Typ.	Max.
W	23.70	24.00	24.30	0.933	0.945	0.957
E	1.65	1.75	1.85	0.065	0.069	0.073
F	11.40	11.50	11.60	0.449	0.453	0.457
D0	-	1.50	1.60	-	0.059	0.063
D1	-	1.50	1.60	-	0.059	0.063
P0	3.90	4.00	4.10	0.154	0.157	0.161
P1	15.90	16.00	16.10	0.626	0.630	0.634
P2	1.90	2.00	2.10	0.075	0.079	0.083
A0	10.80	10.90	11.00	0.425	0.429	0.433
B0	16.20	16.30	16.40	0.638	0.642	0.646
K0	4.80	4.90	5.00	0.189	0.193	0.197
t	0.35	0.40	0.45	0.014	0.016	0.018

