



JST30C-800BW 30A TRIAC

Rev.A.1.1

DESCRIPTION:

The JST30C-800BW triac is suitable for general purpose AC switching. It can be used as an ON/OFF function in applications such as heati

((h ic)14 ((2.13)TJ)6)9.96ase)10)9.9 i)12(f)-8s(n)10 (e (ne)c16)TJ i (n

Peak pulse voltage ($T_j=25$; non-repetitive,off-state;FIG.7)	V_{pp}	2.5	kV
--	----------	-----	----

JST30C-800BW

FIG.1: Maximum power dissipation versus RMS on-state current

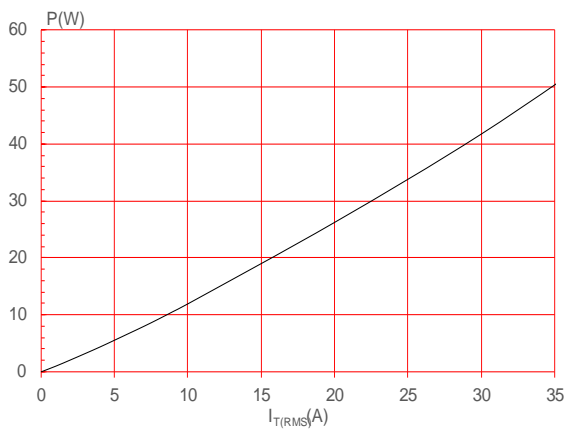


FIG.3: Surge peak on-state current versus number of cycles

FIG.2: RMS on-state current versus case temperature

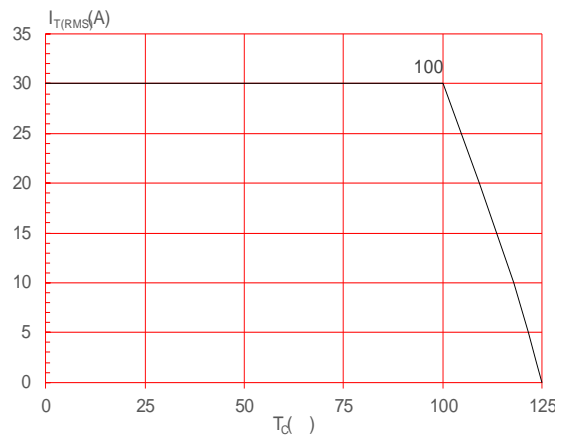
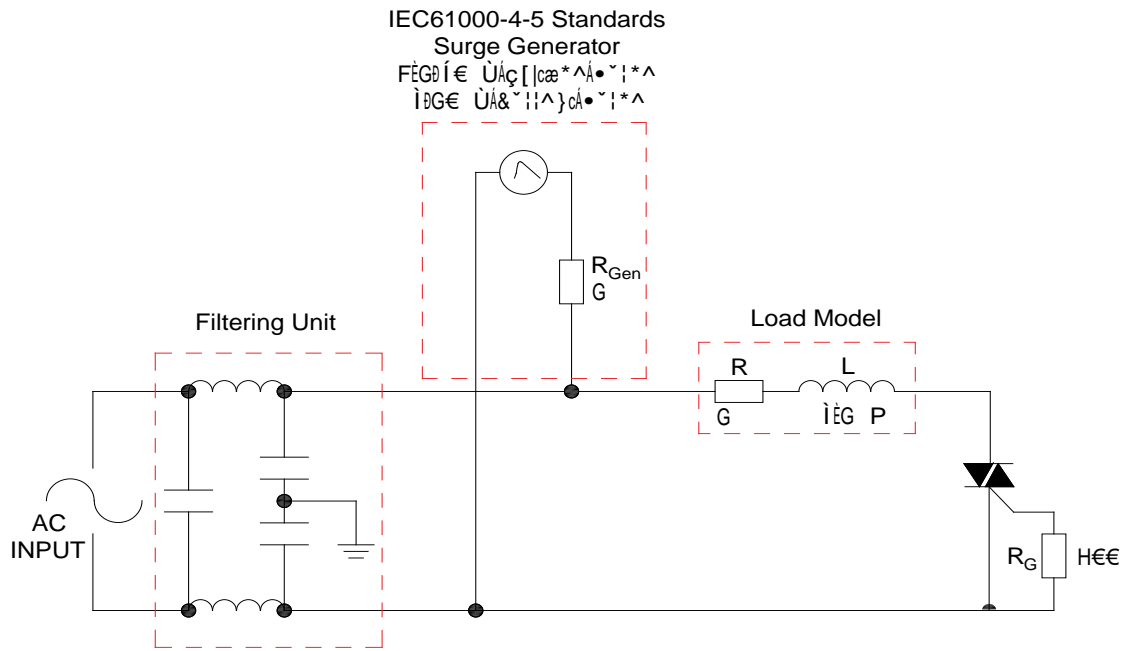


FIG.4: On-state characteristics

FIG.7 Test circuit for inductive and resistive loads to IEC-61000-4-5 standards



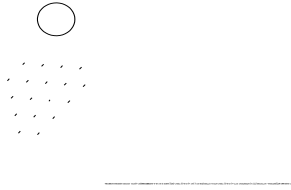
ORDERING INFORMATION

Order code	Voltage V_{DRM}/V_{RRM} (V)	IGT(mA)	Package	Base qty. (pcs)	Delivery mode
		- -			
JST30C-800BW	800	50	TO-220C	50	Tube

Document Revision History

Date	Revision	Changes
Apr.11, 2023	A.1.0	Last updated
Oct.15, 2025	A.1.1	Revise PACKAGE MECHANICAL DATA

PACKAGE MECHANICAL DATA



Information furnished in this document is believed to be accurate and reliable. However, Jiangsu JieJie Microelectronics Co., Ltd. assumes no responsibility for the consequences of use without consideration for such information nor use beyond it. Information mentioned in this document is subject to change without notice, apart from that when an agreement is signed, Jiangsu JieJie complies with the agreement.

-513 Comment. de (i)6 CID 32 >>BDCD 33 >>BDC 0.004 Tc -0.00299C /78C / 56.6(er)7 ()Tjas c(er)7 (